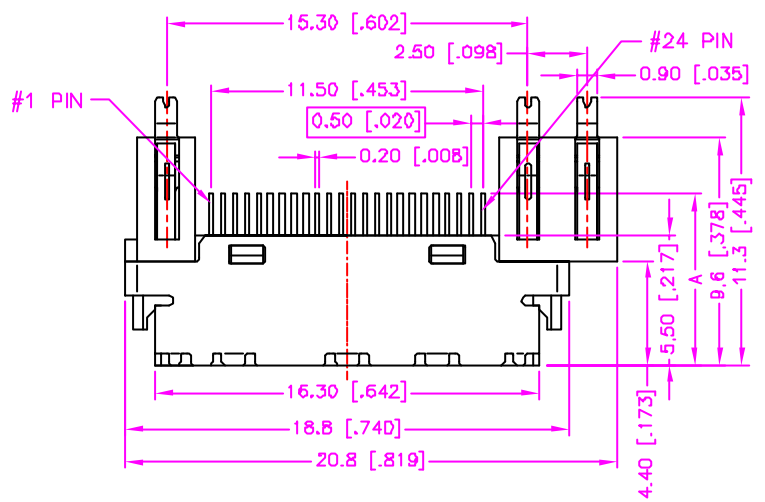


REV.	DESCRIPTION	DATE
-	RELEASE	Dec 7, 2002
B	02'1239	Dec 18, 2002
C	03'0322	Mar 25, 2003
D	03'0425	Apr 11, 2003



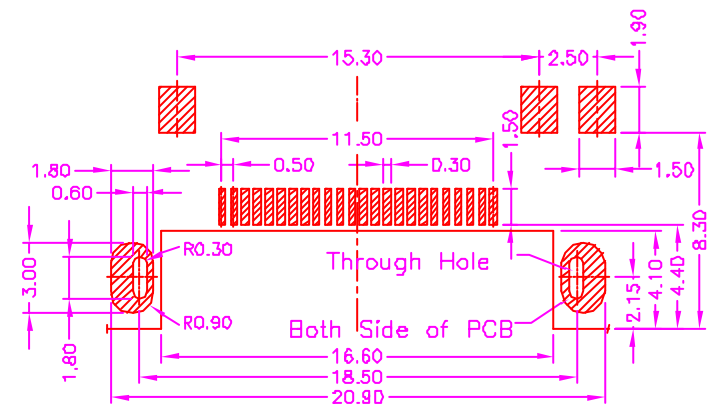
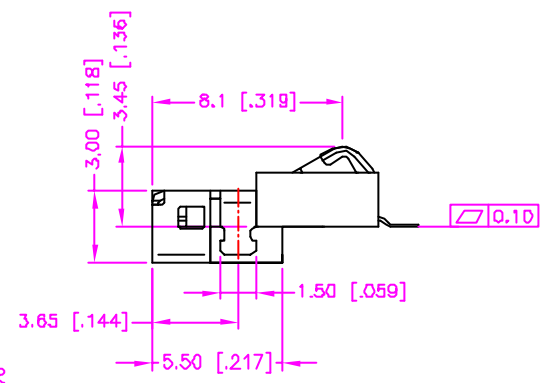
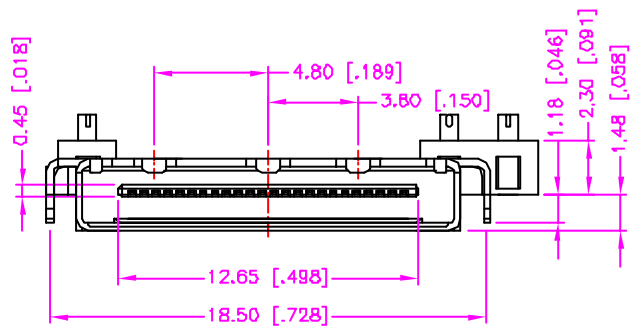
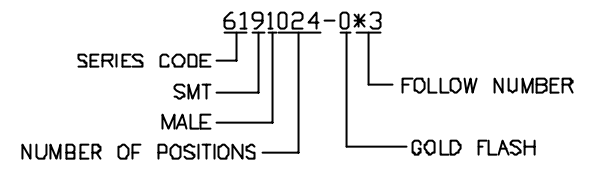
MATERIALS

- HOUSING : HI.-TEMP. PLASTIC (UL 94V-0).
- TERMINAL : COPPER ALLOY, GOLD PLATED OVERALL.
(t=0.20mm, SIGNAL TERMINAL; t=0.15mm, BATTERY TERMINAL)
- SHELL : STAINLESS STEEL, NICKEL PLATED. (t=0.30mm)

SPECIFICATION

- CURRENT RATING : 1.0 AMP. MAX.
- DIELECTRIC WITHSTANDING VOLTAGE : 250V AC R.M.S. FOR ONE MINUTE.
- INSULATION RESISTANCE : 1000M OHMS MIN AT 250V DC.
- OPERATING TEMPERATURE : -40°C TO +85°C.

ORDER INFORMATION



RECOMMEND P.C.B. LAYOUT
TOLERANCE ±0.05
TOP VIEW

6.70 [.264]	TYPE II	6191024-033
7.20 [.283]	TYPE I	6191024-023
A	TYPE	PART NO.

TOLERANCE .0±0.38 [.015] .00±0.25 [.010] .000±0.15 [.006] .0000±. ANG.=±3°		DRAWER <i>LBB</i>		 ASTRON TECHNOLOGY CORP.	
UNITS : mm [Inch]		CHECK <i>Katherlin</i>			
SCALE NONE		APP'D <i>LJON</i>		NAME 0.5PH IN-PHONE 24P SLIM TYPE (C TYPE)	
SIZE A4		PRODUCT SPEC.		DRAW NO. R6191024-0X3	
SHEET 1 OF 1		REV. D			