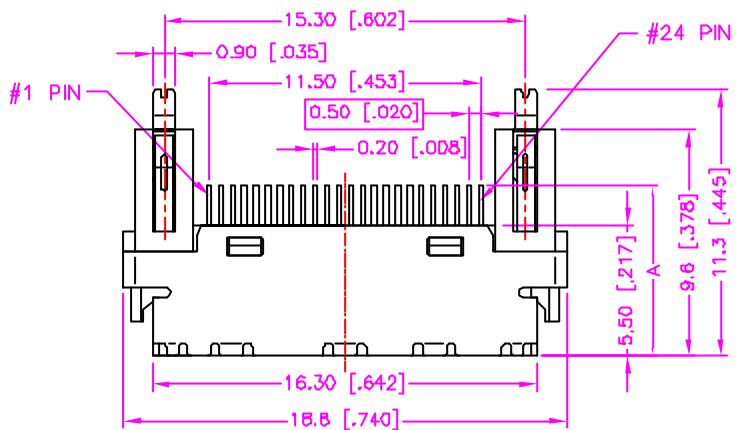


REV.	DESCRIPTION	DATE
-	RELEASE	Jun 11, 2003



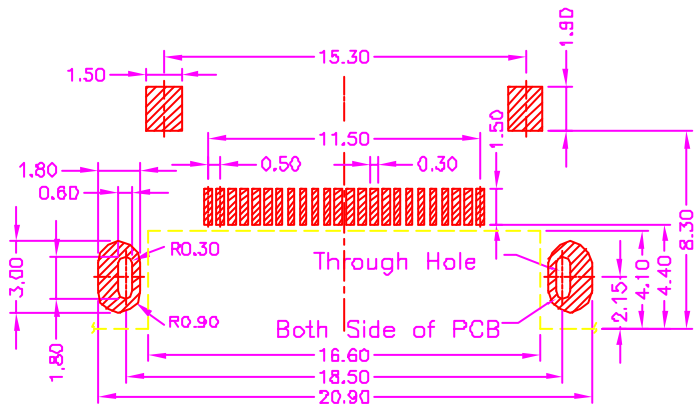
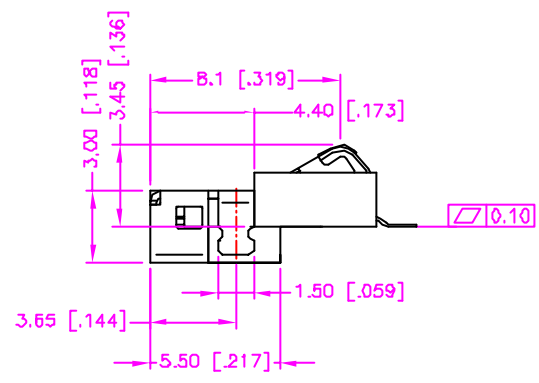
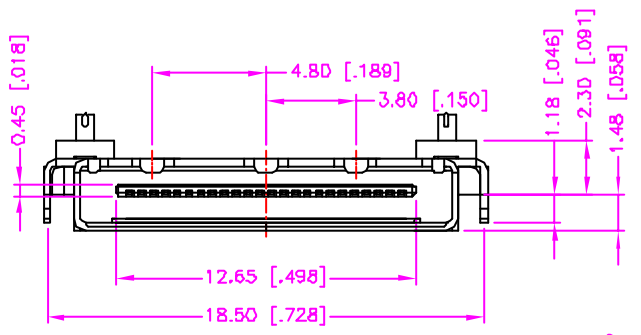
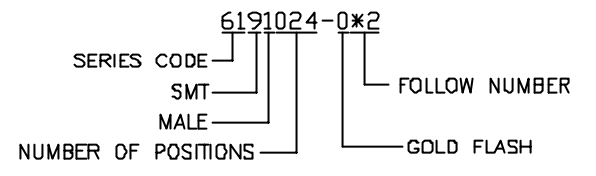
**MATERIALS**

1. HOUSING : HI.-TEMP. PLASTIC (UL 94V-0).
2. TERMINAL : COPPER ALLOY, GOLD PLATED OVERALL.  
{t=0.20mm, SIGNAL TERMINAL; t=0.15mm, BATTERY TERMINAL}
3. SHELL : STAINLESS STEEL, NICKEL PLATED. {t=0.30mm}

**SPECIFICATION**

1. CURRENT RATING : 1.0 AMP. MAX.
2. DIELECTRIC WITHSTANDING VOLTAGE : 250V AC R.M.S. FOR ONE MINUTE.
3. INSULATION RESISTANCE : 1000M OHMS MIN AT 250V DC.
4. OPERATING TEMPERATURE : -40°C TO +85°C.

**ORDER INFORMATION**



RECOMMEND P.C.B. LAYOUT  
 TOLERANCE ±0.05  
 TOP VIEW

6.70 [.264]	TYPE II	6191024-032
7.20 [.283]	TYPE I	6191024-022
A	TYPE	PART NO.

TOLERANCE .0=±0.38 [.015] .00=±0.25 [.010] .000=±0.15 [.006] .0000=±. ANG.=±3°		DRAWER <i>LBB</i>		<b>Astron</b> ASTRON TECHNOLOGY CORP. NAME 0.5PH IN-PHONE 24P SLIM TYPE (B TYPE)
UNITS : mm [inch]		CHECK <i>Katherlin</i>		
SCALE NONE		APP'D <i>LJON</i>		
SIZE A4		PRODUCT SPEC. —		
SHEET 1 OF 1		REV. A		DRAW NO. R6191024-0X2