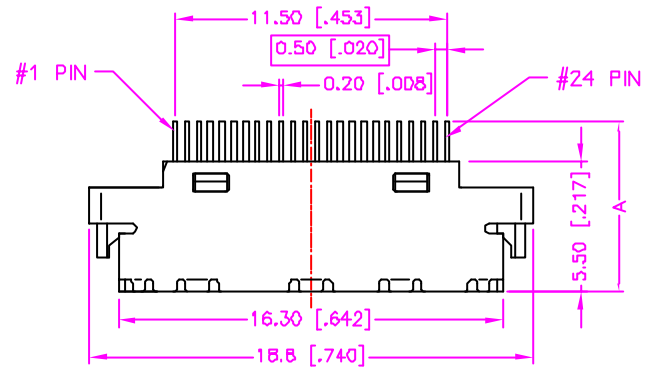


REV.	DESCRIPTION	DATE
-	RELEASE	Jun 11, 2003



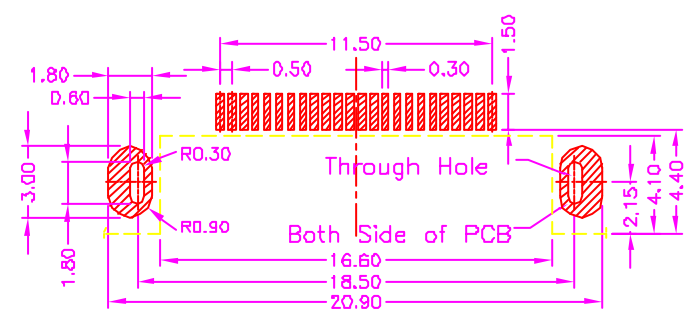
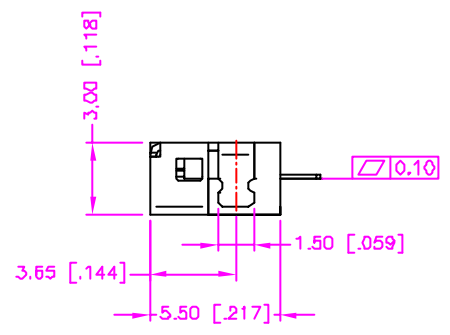
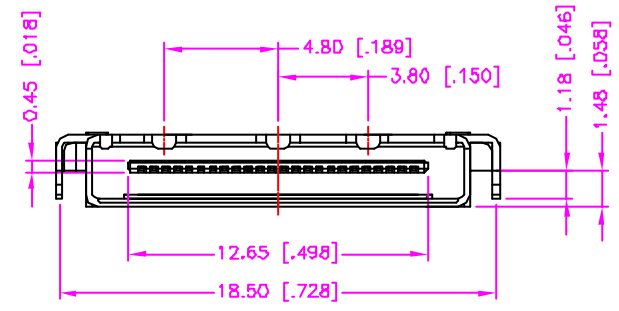
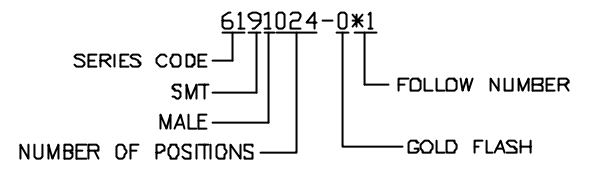
MATERIALS

- HOUSING : HI.-TEMP. PLASTIC (UL 94V-0).
- TERMINAL : COPPER ALLOY, GOLD PLATED OVERALL. (t=0.20mm, SIGNAL TERMINAL;)
- SHELL : STAINLESS STEEL, NICKEL PLATED. (t=0.30mm)

SPECIFICATION

- CURRENT RATING : 1.0 AMP. MAX.
- DIELECTRIC WITHSTANDING VOLTAGE : 250V AC R.M.S. FOR ONE MINUTE.
- INSULATION RESISTANCE : 1000M OHMS MIN AT 250V DC.
- OPERATING TEMPERATURE : -40°C TO +85°C.

ORDER INFORMATION



RECOMMEND P.C.B. LAYOUT
TOLERANCE ±0.05
TOP VIEW

6.70 [.264]	TYPE II	6191024-031
7.20 [.283]	TYPE I	6191024-021
A	TYPE	PART NO.

TOLERANCE .0=±0.38 [.015] .00=±0.25 [.010] .000=±0.15 [.006] .0000=±. ANG.=±3°		DRAWER LBB CHECK Katherlin APP'D LBN	Astron ASTRON TECHNOLOGY CORP. NAME 0.5PH IN-PHONE 24P SLIM TYPE (A TYPE)
UNITS : mm [inch] 		PRODUCT SPEC. _____	
SCALE NONE	SIZE A4	SHEET 1 OF 1	REV. A
DRAW NO. R6191024-0X1			