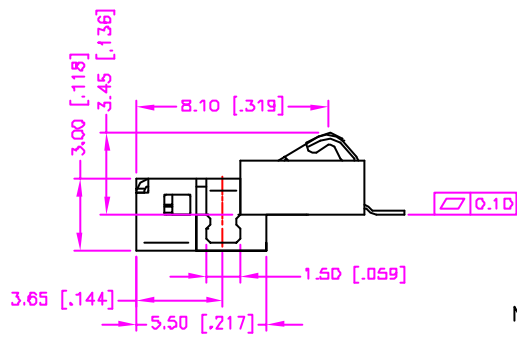
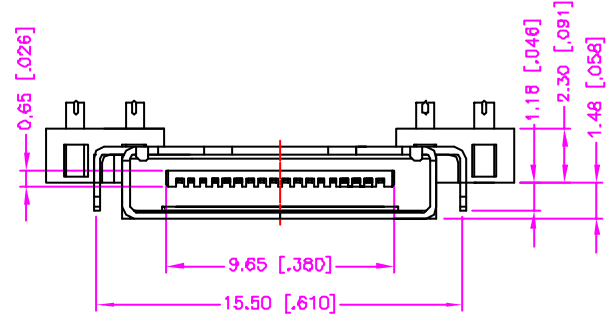
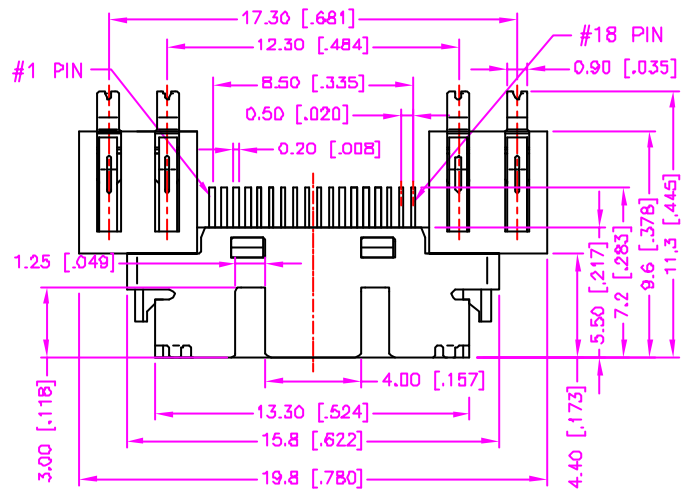


B		
REV.	DESCRIPTION	DATE
-	RELEASE	Mar 07, 2003



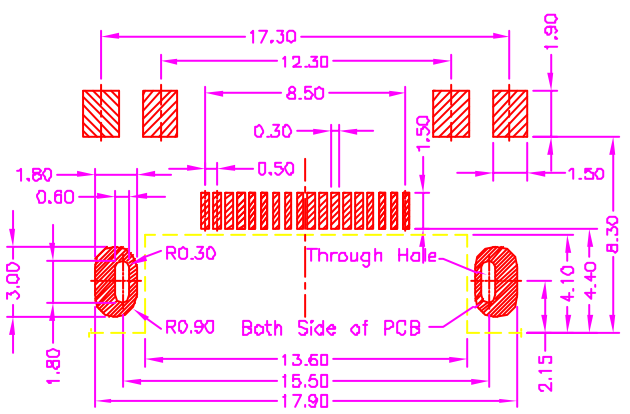
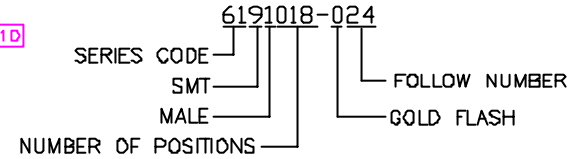
MATERIALS

- HOUSING : HI.-TEMP. PLASTIC (UL 94V-0).
- TERMINAL : COPPER ALLOY, GOLD PLATED OVERALL.
{t=0.20mm, SIGNAL TERMINAL; t=0.15mm, BATTERY TERMINAL}
- SHELL : STAINLESS STEEL, NICKEL PLATED. {t=0.30mm}

SPECIFICATION

- CURRENT RATING : 1.0 AMP. MAX.
- DIELECTRIC WITHSTANDING VOLTAGE : 250V AC R.M.S. FOR ONE MINUTE.
- INSULATION RESISTANCE : 1000M OHMS MIN AT 250V DC.
- OPERATING TEMPERATURE : -40°C TO +85°C.

ORDER INFORMATION



RECOMMEND P.C.B. LAYOUT
TOLERANCE ±0.05
TOP VIEW

TOLERANCE .0±.0.38 [.015] .00±.0.25 [.010] .000±.0.15 [.006] .0000±. ANG.-±3°		DRAWER <i>LEE</i> CHECK <i>MUB</i> APP'D <i>LTON</i>	 ASTRON TECHNOLOGY CORP. NAME 0.5PH IN-PHONE 18P SLIM TYPE (D TYPE)
UNITS : mm [Inch]	PRODUCT SPEC. _____	DRAW NO. R6191018-024	
SCALE NONE	SIZE A4	SHEET 1 OF 1	REV. A