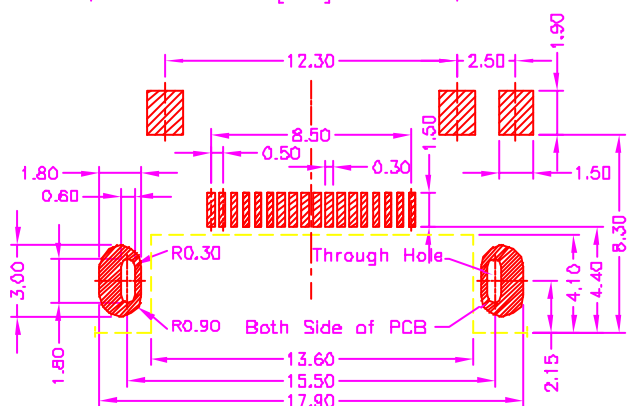
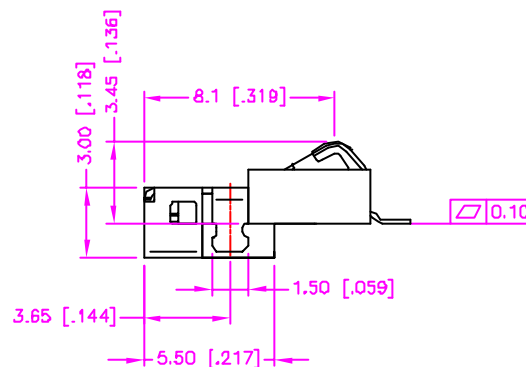
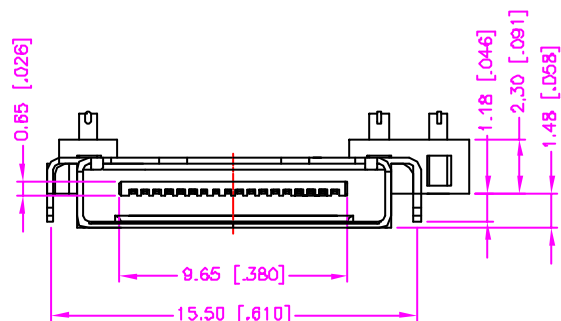
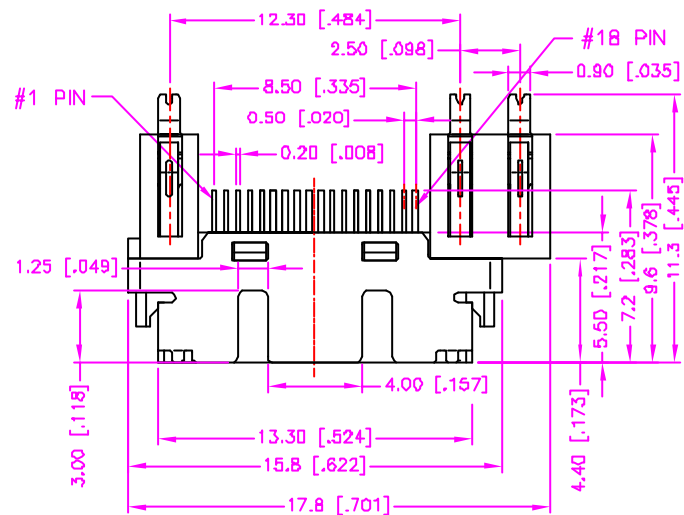


REV.	DESCRIPTION	DATE
-	RELEASE	Mar 07, 2003



RECOMMEND P.C.B. LAYOUT
TOLERANCE ±0.05
TOP VIEW

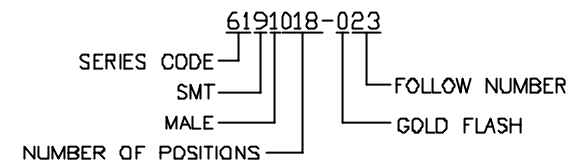
MATERIALS

- HOUSING : HI-TEMP. PLASTIC (UL 94V-0).
- TERMINAL : COPPER ALLOY, GOLD PLATED OVERALL.
(t=0.20mm, SIGNAL TERMINAL; t=0.15mm, BATTERY TERMINAL)
- SHELL : STAINLESS STEEL, NICKEL PLATED. (t=0.30mm)

SPECIFICATION

- CURRENT RATING : 1.0 AMP. MAX.
- DIELECTRIC WITHSTANDING VOLTAGE : 250V AC R.M.S. FOR ONE MINUTE.
- INSULATION RESISTANCE : 1000M OHMS MIN AT 250V DC.
- OPERATING TEMPERATURE : -40°C TO +85°C.

ORDER INFORMATION



TOLERANCE		DRAWER		 ASTRON TECHNOLOGY CORP.
.0 = ±0.38 [.015]		LSE		
.00 = ±0.25 [.010]		CHECK		
.000 = ±0.15 [.006]		SLE		
.0000 = ±		APP'D		NAME
ANG. = ±3°		LTON		
		PRODUCT SPEC.		0.5PH IN-PHONE 18P SLIM TYPE (C TYPE)
UNITS : mm [inch]				
SCALE	SIZE	SHEET	REV.	DRAW NO.
NONE	A4	1 OF 1	A	R6191018-023