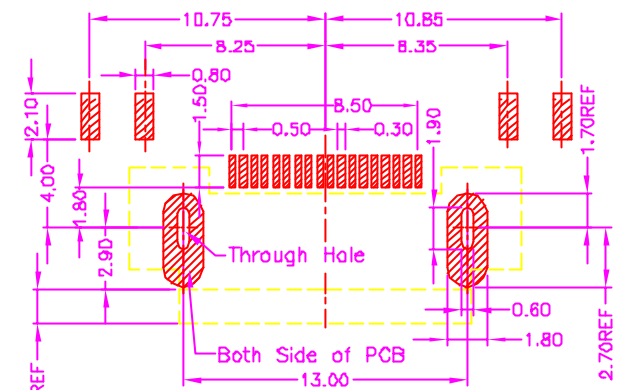
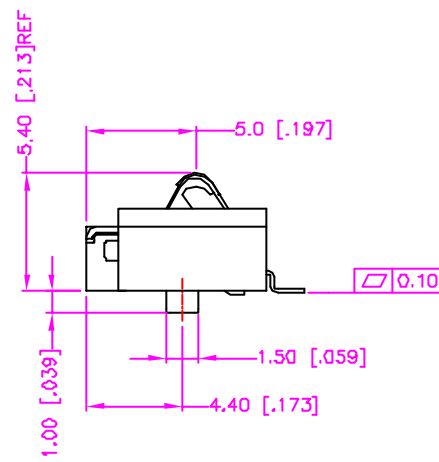
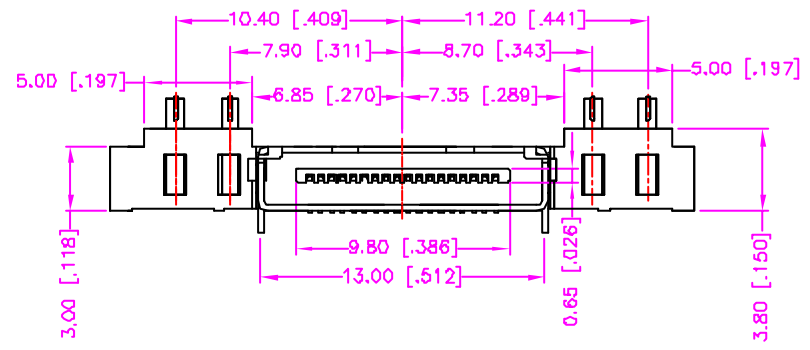
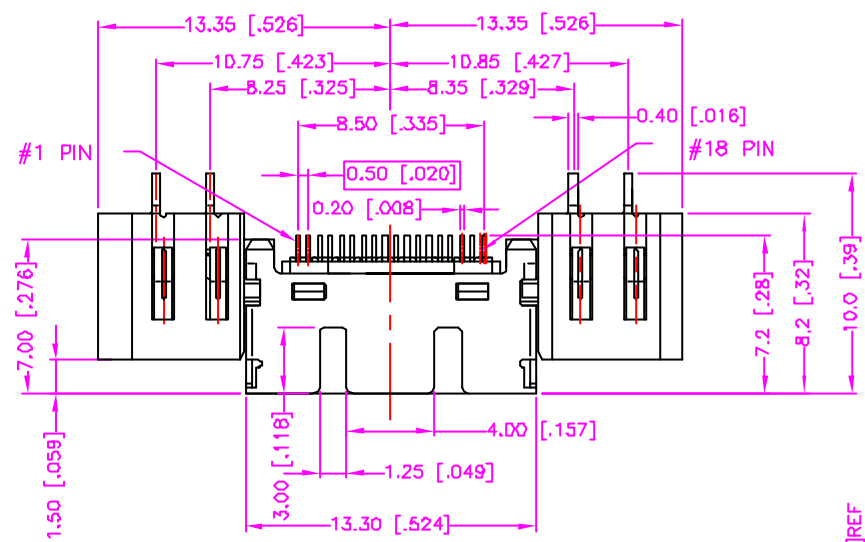
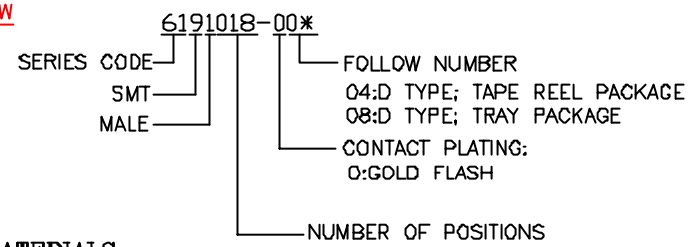


REV.	DESCRIPTION	DATE
—	RELEASE	Jun 03,2003
B	D3'0619	Jun 13,2003
C	D3'0715	Jul 12,2003
D	03'0733	Jul 22,2003



RECOMMEND P.C.B. LAYOUT
TOLERANCE ± 0.05
TOP VIEW

ORDER INFORMATION :



MATERIALS

- HOUSING : HI.-TEMP. PLASTIC (UL 94V-0), BLACK.
- TERMINAL : COPPER ALLOY, GOLD PLATED OVERALL. (t=0.20mm, SIGNAL TERMINAL; t=0.15mm, BATTERY TERMINAL)
- SHELL : STAINLESS STEEL, NICKEL PLATED ALL OVER. (t=0.30mm)

SPECIFICATION

- CURRENT RATING : 1 A MAX.
- DIELECTRIC WITHSTANDING VOLTAGE : 250V AC R.M.S. FOR ONE MINUTE.
- INSULATION RESISTANCE : 1000 M MIN AT 250V DC.
- OPERATING TEMPERATURE : -40°C TO +85°C.

TOLERANCE .0=±0.38 [.015] .00=±0.25 [.010] .000=±0.15 [.006] .0000=±. ANG.=±3'	DRAWER <i>LBB</i>	 ASTRON TECHNOLOGY CORP. NAME 0.5PH IN-PHONE 18P TYPE (D TYPE)
 UNITS : mm [inch]	CHECK <i>FUE</i>	
SCALE NONE	SIZE A4	APP'D <i>LJON</i> PRODUCT SPEC. — DRAW NO. R6191018-004(08)
SHEET 1 OF 1	REV. D	