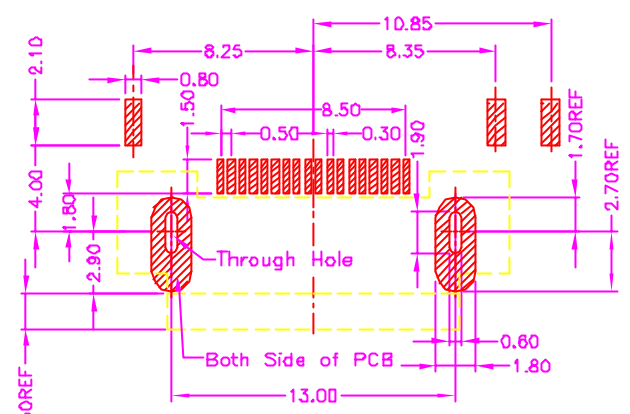
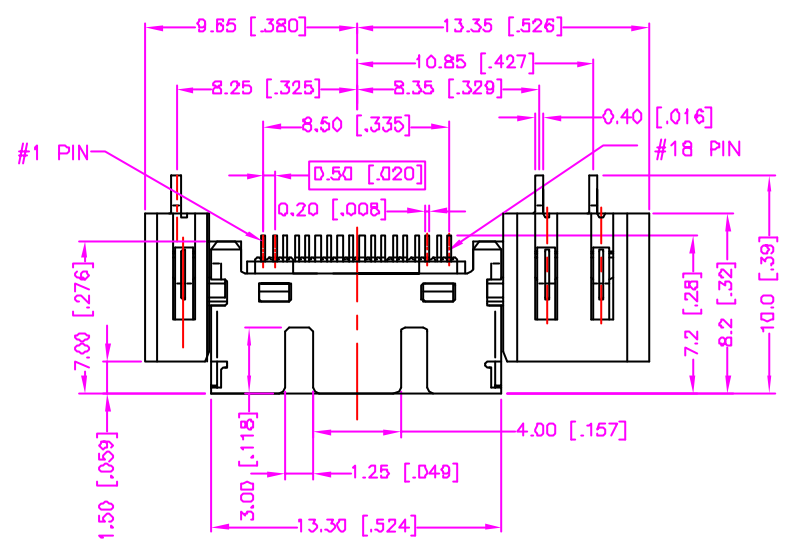
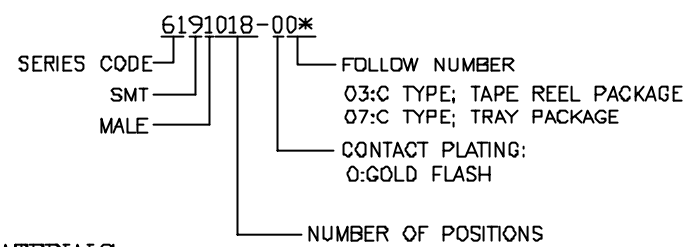


REV.	DESCRIPTION	DATE
—	RELEASE	May 30,2003
B	03'0619	Jun 13,2003
C	03'0715	Jul 12,2003
D	03'0733	Jul 22,2003



RECOMMEND P.C.B. LAYOUT
TOLERANCE ±0.05
TOP VIEW

ORDER INFORMATION :

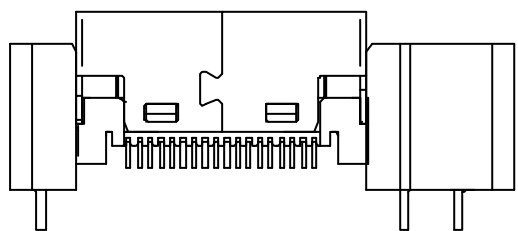
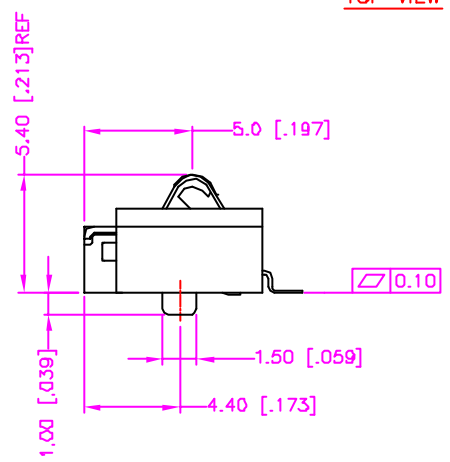
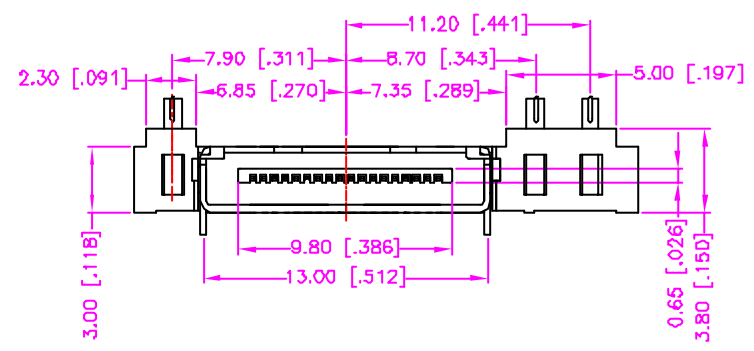


MATERIALS

- HOUSING : HI.-TEMP. PLASTIC (UL 94V-0), BLACK.
- TERMINAL : COPPER ALLOY, GOLD PLATED OVERALL. (t=0.20mm, SIGNAL TERMINAL; t=0.15mm, BATTERY TERMINAL)
- SHELL : STAINLESS STEEL, NICKEL PLATED ALL OVER. (t=0.30mm)

SPECIFICATION

- CURRENT RATING : 1 A MAX.
- DIELECTRIC WITHSTANDING VOLTAGE : 25DV AC R.M.S. FOR ONE MINUTE.
- INSULATION RESISTANCE : 100D M MIN AT 250V DC.
- OPERATING TEMPERATURE : -40°C TO +85°C.



TOLERANCE	DRAWER	 ASTRON TECHNOLOGY CORP. NAME 0.5PH IN-PHONE 18P TYPE (C TYPE) DRAW NO. R6191018-003(07)
.0=±0.38 [.015]	288	
.00=±0.25 [.010]	CHEK	
.000=±0.15 [.006]	278	
.0000=±.	APP'D	
ANG.=±3°	270N	
UNITS : mm [inch]	PRODUCT SPEC.	
SCALE NONE	SIZE A4	SHEET 1 OF 1
	REV. D	