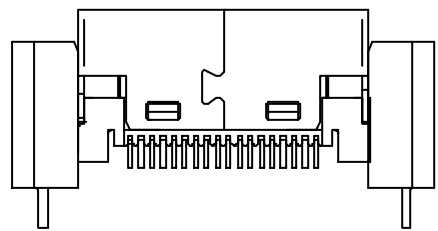
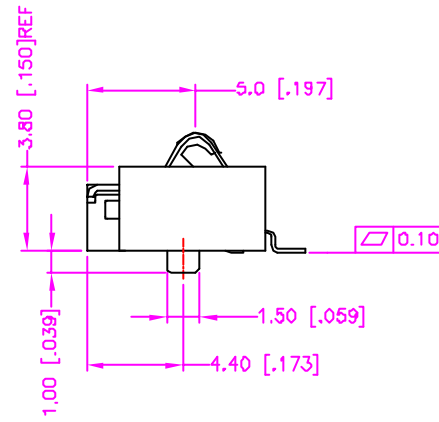
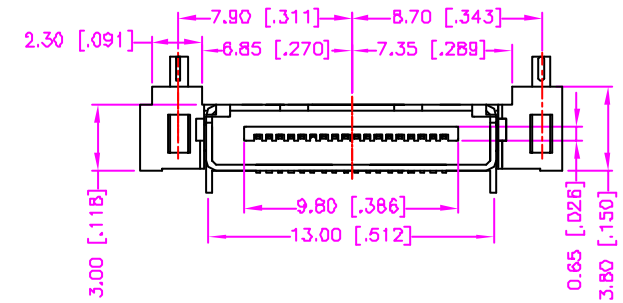
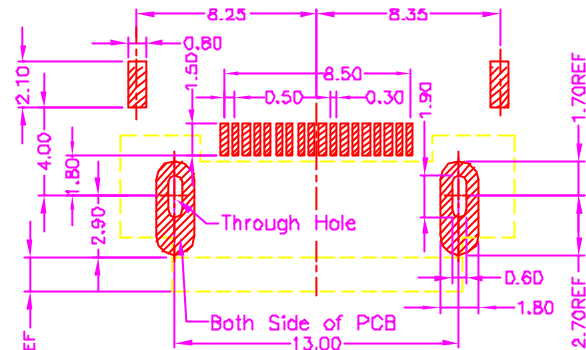
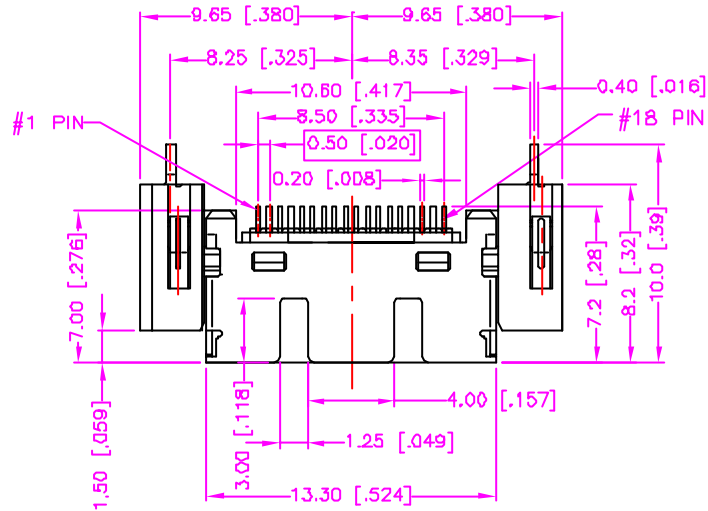
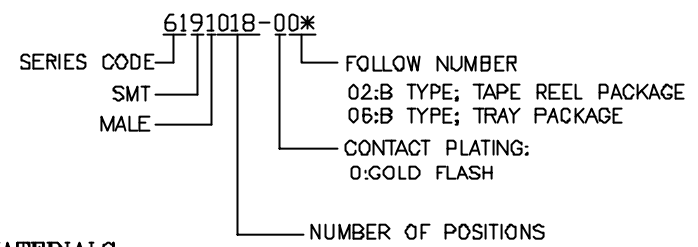


REV.	DESCRIPTION	DATE
—	RELEASE	Jun 03,2003
B	03'0619	Jun 13,2003
C	03'0715	Jul 12,2003
D	03'0733	Jul 22,2003



ORDER INFORMATION :



MATERIALS

- HOUSING : HI.-TEMP. PLASTIC (UL 94V-0), BLACK.
- TERMINAL : COPPER ALLOY, GOLD PLATED OVERALL.
(t=0.20mm, SIGNAL TERMINAL; t=0.15mm, BATTERY TERMINAL)
- SHELL : STAINLESS STEEL, NICKEL PLATED ALL OVER.
(t=0.30mm)

SPECIFICATION

- CURRENT RATING : 1 A MAX.
- DIELECTRIC WITHSTANDING VOLTAGE : 250V AC R.M.S.
FOR ONE MINUTE.
- INSULATION RESISTANCE : 1000 M MIN AT 250V DC.
- OPERATING TEMPERATURE : -40°C TO +85°C.

TOLERANCE		DRAWER		 ASTRON TECHNOLOGY CORP.
.0-±.038 [.015]		LBB		
.00-±0.25 [.010]		CHECK		
.000-±0.15 [.006]		MUS		
.0000-±.		APP'D		NAME
ANG.±3°		LWON		
		PRODUCT SPEC.		DRAW NO.
UNITS : mm [inch]		—		
SCALE	SIZE	SHEET	REV.	R6191018-002(06)
NONE	A4	1 OF 1	D	