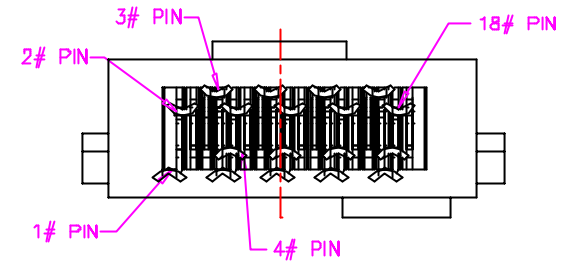
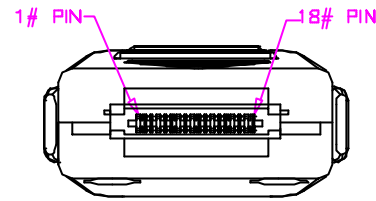
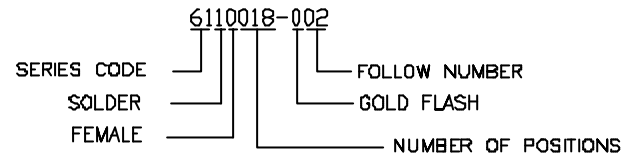
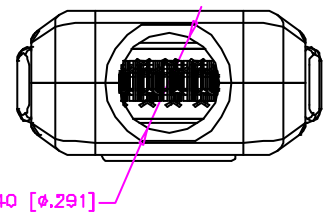
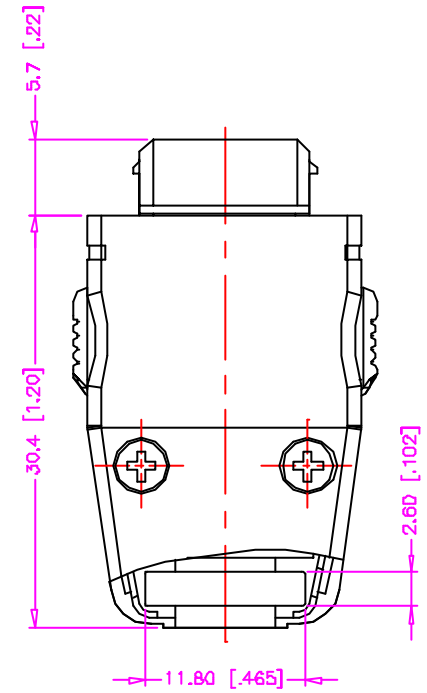
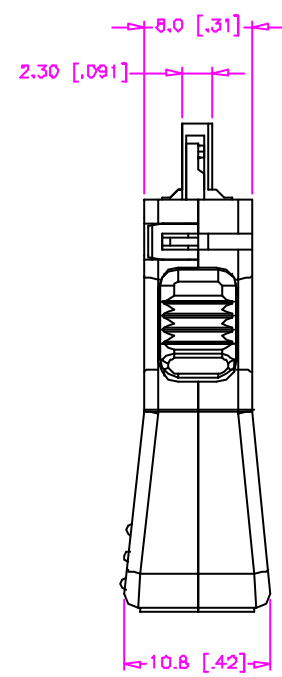
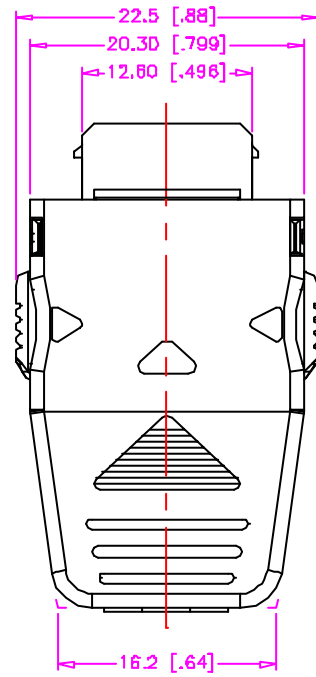


REV.	ECN NO.	DATE
A	RELEASE	Jun14,2003
B	D370703	Jul 03,2003

ORDERING INFORMATION



CIRCUITS ARRAY



MATERIALS AND FINISH

- 1 HOUSING MATERIALS: THERMOPLASTIC .COLOR:BLACK
- 2 CONTACTS: COPPER ALLOY. T=0.2mm
GOLD PLATED ON CONTACT AREA .
TIN/LEAD PLATED ON SOLDER TAILS
UNDER NICKEL PLATED.
- 3 LOCKING LATCH: STAINLESS STEEL. T=0.4mm
- 4 SCREW: STEEL.M2*6.0
- 5 BUTTON: THERMOPLASTIC.COLOR:GYAY
- 6 COVER: THERMOPLASTIC.COLOR:BLACK

SPECIFICATIONS

- 1 CURRENT RATING: 1 A MAX.
- 2 INSULATION RESISTANCE:
1000 MΩ MIN AT 250V DC.
- 3 DIELECTRIC WITHSTANDING VOLTAGE:
250V (r.m.s) AC AT 0.5mA FOR 1 MINUTE.
- 4 CONTACT RESISTANCE:
50 mΩ MAX.
- 5 OPERATING TEMPERATURE:
-40°C ~ +85°C.

TOLERANCE	DRAWER
.0=±0.38 [.015]	288
.00=±0.25 [.010]	CHECK
.000=±.15[0.006]	Katherlin
.0000=±	APP'D
ANG.=±3°	LJON
UNITS : mm [Inch]	PRODUCT SPEC.
SCALE NONE	SIZE A4
SHEET 1 OF 1	REV. B

Astron	
ASTRON TECHNOLOGY CORP.	
NAME	
0.5PH PLUG IN 18P(TYPE II) (WITHOUT POLARITY)	
DRAW NO.	
R6110018-002	