

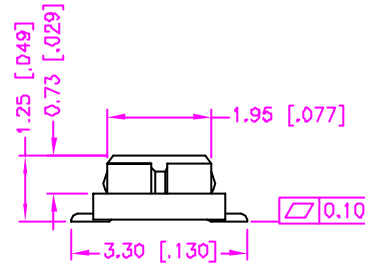
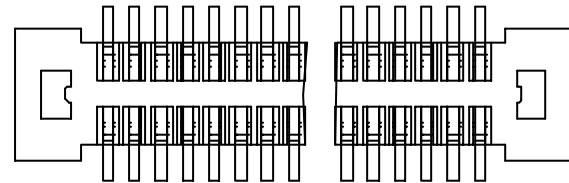
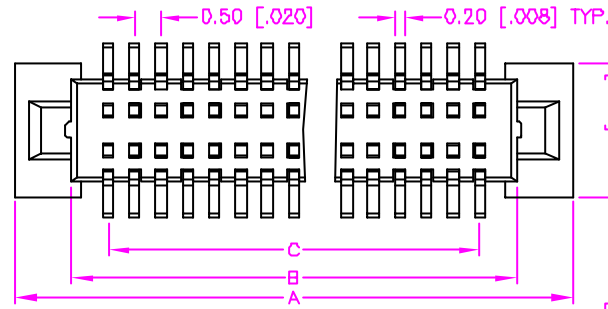
REV.	DESCRIPTION	DATE
—	03'0107	Jan 08, 2003
B	03'0316	Mar 20, 2003
C	03'0453	Apr 28, 2003
D	03'0624	Jun 17, 2003
E	03'1004	Oct 08, 2003
F	03'1124	Nov 14, 2003
G	03'1211	Dec 08, 2003
H	04'0207	Feb 05, 2004

MATERIALS

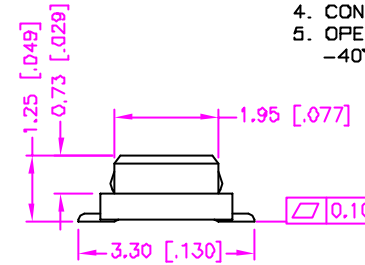
- HOUSING :
HI.-TEMP. PLASTIC (UL 94V-0). BEIGE
- TERMINAL:
COPPER ALLOY (t=0.20mm).
GOLD PLATED OVER NICKEL.

SPECIFICATION

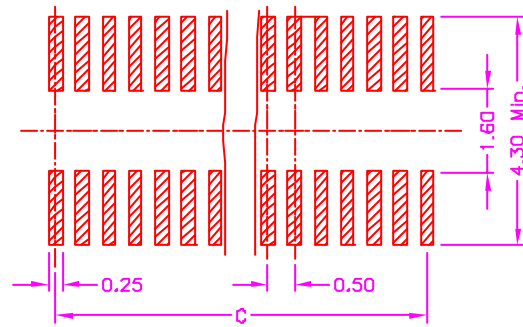
- CURRENT RATING : 0.5 A MAX.
- INSULATION RESISTANCE:
1000MΩ MIN AT 500V DC.
- DIELECTRIC WITHSTANDING VOLTAGE:
150V AC R.M.S. FOR ONE MINUTE.
- CONTACT RESISTANCE: 50mΩ MAX.
- OPERATING TEMPERATURE:
-40°C ~ +105°C.



10~20PIN W/RIB

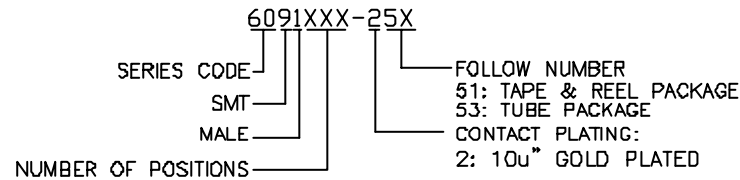


22~100PIN W/O RIB



RECOMMENDED P.C.B LAYOUT
TOLERANCE ±0.05
TOP VIEW

ORDERING INFORMATION



Number Of Position	A	B	C
100	28.00 [1.102]	25.90 [1.020]	24.50 [0.965]
90	25.50 [1.004]	23.40 [0.921]	22.00 [0.866]
80	23.00 [0.906]	20.90 [0.823]	19.50 [0.768]
72	21.00 [0.827]	18.90 [0.744]	17.50 [0.689]
70	20.50 [0.807]	18.40 [0.724]	17.00 [0.669]
60	18.00 [0.709]	15.90 [0.626]	14.50 [0.571]
50	15.50 [0.610]	13.40 [0.528]	12.00 [0.472]
40	13.00 [0.512]	10.90 [0.429]	9.50 [0.374]
34	11.50 [0.453]	9.40 [0.370]	8.00 [0.315]
32	11.00 [0.433]	8.90 [0.350]	7.50 [0.295]
30	10.50 [0.413]	8.40 [0.331]	7.00 [0.276]
28	10.00 [0.394]	7.90 [0.311]	6.50 [0.256]
26	9.50 [0.374]	7.40 [0.291]	6.00 [0.236]
24	9.00 [0.354]	6.90 [0.272]	5.50 [0.217]
22	8.50 [0.335]	6.40 [0.252]	5.00 [0.197]
20	8.00 [0.315]	5.90 [0.232]	4.50 [0.177]
18	7.50 [0.295]	5.40 [0.213]	4.00 [0.157]
16	7.00 [0.276]	4.90 [0.193]	3.50 [0.138]
14	6.50 [0.256]	4.40 [0.173]	3.00 [0.118]
12	6.00 [0.236]	3.90 [0.154]	2.50 [0.098]
10	5.50 [0.217]	3.40 [0.134]	2.00 [0.079]

	MALE	6091XXX-253	6091XXX-251	2.00 [0.079]
	FEMALE	6090XXX-254	6090XXX-252	
	MALE	6091XXX-253	6091XXX-251	1.50 [0.059]
	FEMALE	6090XXX-253	6090XXX-251	
	TUBE PACKAGE	TAPE PACKAGE	STACKED HEIGHT	

TOLERANCE .0=±0.25 [0.010] .00=±0.15 [0.006] .000=±0.10 [0.004] .0000=±. ANG.=±3°		DRAWER NPEK	Astron ASTRON TECHNOLOGY CORP.
UNITS : mm [inch]		CHECK PUB	
SCALE NONE SIZE A4		APP'D LSON	NAME B TO B 0.5PH SMT MALE H=1.5,2.0
SHEET 1 OF 1 REV. H		PRODUCT SPEC. —	DRAW NO. R6091XXX-251(53)