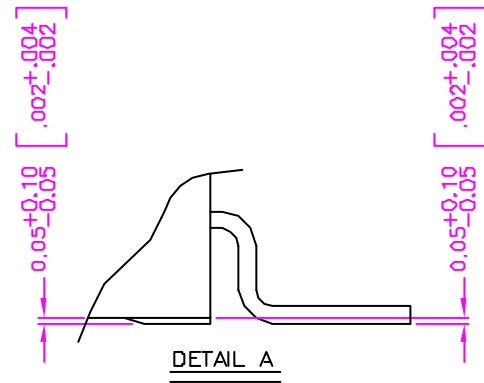
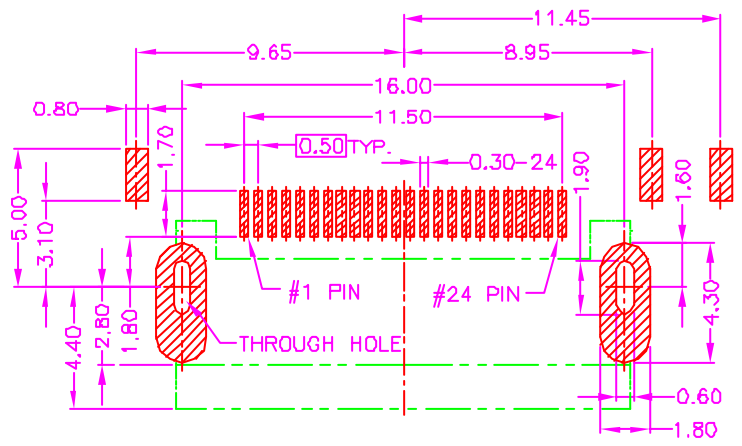
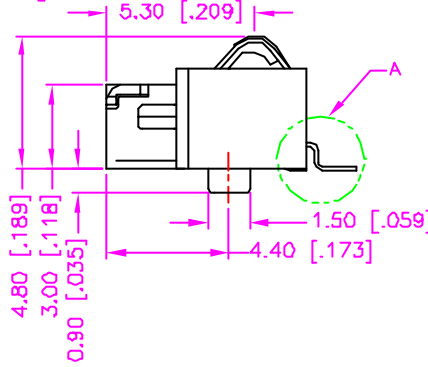
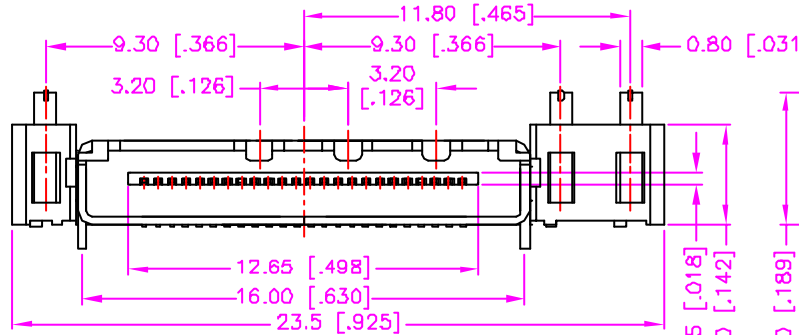
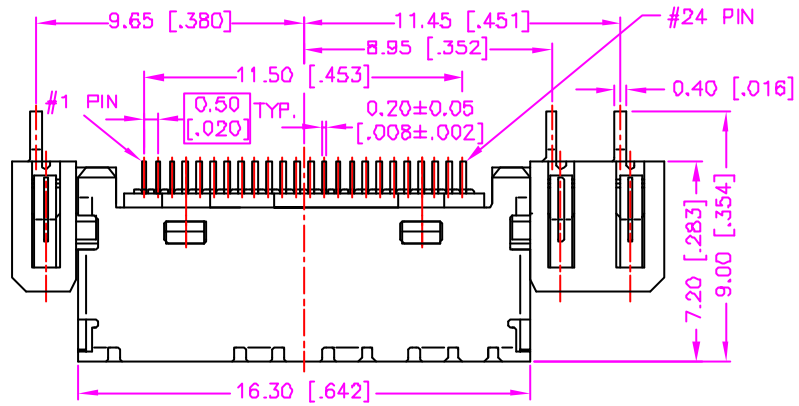


REV.	DESCRIPTION	DATE
—	RELEASE	Oct. 31, 2002
1	SHELL PLATING MODIFY	Jan. 17, 2003
2	DRAW MODIFY	Feb. 11, 2003
3	DRAW MODIFY	Apr. 23, 2003
4	DRAW MODIFY	Aug. 02, 2003



### MATERIALS

- HOUSING : HI.-TEMP. PLASTIC (UL 94V-0), BLACK.
- TERMINAL : COPPER ALLOY, GOLD PLATING.  
(t=0.20mm)
- BATTERY TERMINAL : COPPER ALLOY, GOLD PLATING.  
(t=0.15mm)
- SHELL : STAINLESS STEEL, NICKEL PLATING.  
(t=0.30mm)

### SPECIFICATION

- CURRENT RATING : 1 AMP. MAX.
- DIELECTRIC WITHSTANDING VOLTAGE :  
250V AC R.M.S. FOR ONE MINUTE.
- INSULATION RESISTANCE : 1000M OHMS MIN.  
AT 250V DC.
- OPERATING TEMPERATURE : -40°C TO +85°C.
- MAX. PROCESSING TEMP. :  
230°C FOR 30 ~ 60 SECONDS.

### ORDER INFORMATION :

6191024-01\*

- PACKAGE OPTIONS  
3: TAPE PACKAGE  
7: TRAY PACKAGE

<b>TOLERANCE</b> .0-±0.38 [.015] .00±0.25 [.010] .000=±.XXX .0000=±. ANG.=±3°		DRAWER <i>Kathleen</i>	 <b>ASTRON TECHNOLOGY CORP.</b>
UNITS : mm [inch]		CHECK <i>JUE</i>	
SCALE NONE	SIZE A4	APP'D <i>ESON</i>	DRAW NO. C797-1138
SHEET 1 OF 1	REV. E	PRODUCT SPEC.	10018