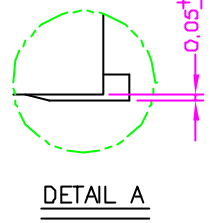
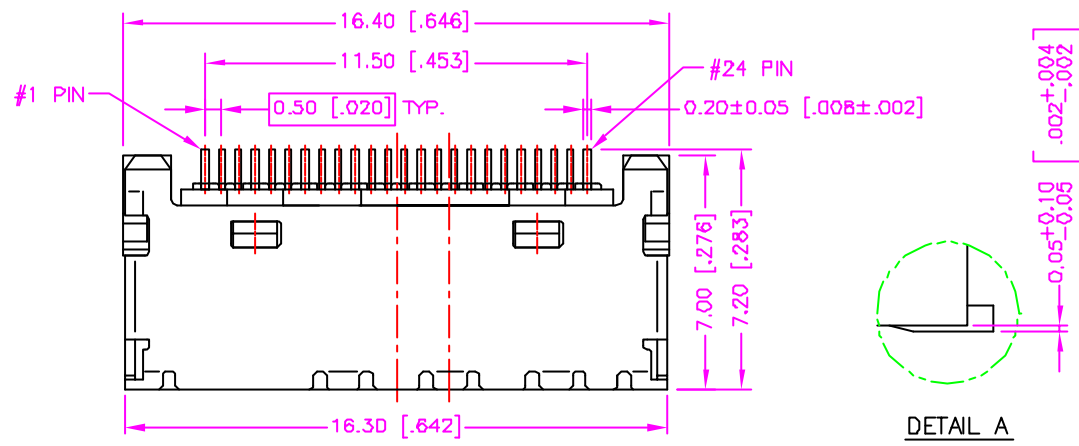


REV.	DESCRIPTION	DATE
—	RELEASE	Oct. 31, 2002
1	SHELL PLATING MODIFY	Jan. 17, 2003
2	DRAW MODIFY	Feb. 11, 2003
3	DRAW MODIFY	Apr. 23, 2003
4	DRAW MODIFY	Aug. 02, 2003

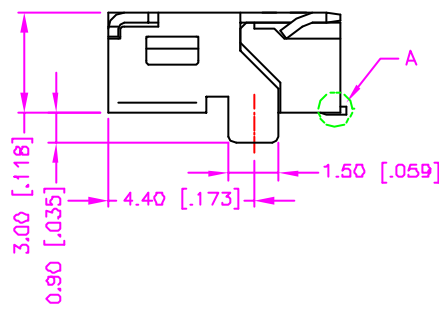
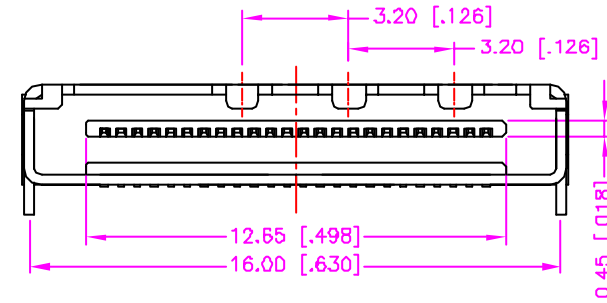


**MATERIALS**

1. HOUSING : HI.-TEMP. PLASTIC (UL 94V-0), BLACK.
2. TERMINAL : COPPER ALLOY, GOLD PLATING.  
(t=0.20mm)
3. SHELL : STAINLESS STEEL, NICKEL PLATING.  
(t=0.30mm)

**SPECIFICATION**

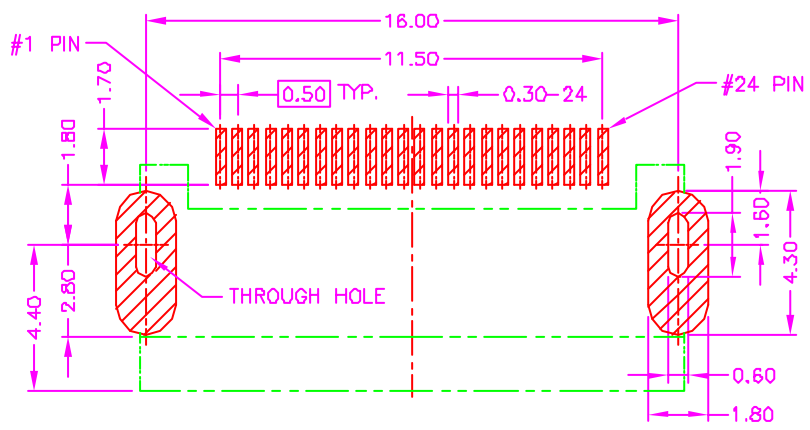
1. CURRENT RATING : 1 AMP. MAX.
2. DIELECTRIC WITHSTANDING VOLTAGE :  
250V AC R.M.S. FOR ONE MINUTE.
3. INSULATION RESISTANCE : 1000M OHMS MIN.  
AT 250V DC.
4. OPERATING TEMPERATURE : -40°C TO +85°C.
5. MAX. PROCESSING TEMP. :  
230°C FOR 30 ~ 60 SECONDS.



**ORDER INFORMATION :**

6191024-01\*

- PACKAGE OPTIONS  
 1: TAPE PACKAGE  
 5: TRAY PACKAGE



RECOMMEND P.C.B. LAYOUT  
TOP VIEW

<b>TOLERANCE</b> .0=±.38 [.015] .00=±.25 [.010] .000=±.XXX .0000=±. ANG.=±3°	<b>DRAWER</b> <i>Katherlin</i>	 <b>ASTRON TECHNOLOGY CORP.</b>	
	<b>CHECK</b> <i>PLS</i>		<b>NAME</b> MOBILE PHONE CONNECTOR P.C.B. MOUNT SMT, MALE 0.50mm PITCH, 24 PINS TYPE II, (A TYPE)
	<b>APP'D</b> <i>LSW</i>	<b>PRODUCT SPEC.</b>	<b>DRAW NO.</b> C797-1136
	<b>UNITS : mm [inch]</b> SCALE NONE SIZE A4 SHEET 1 OF 1 REV. E	<b>10018</b>	