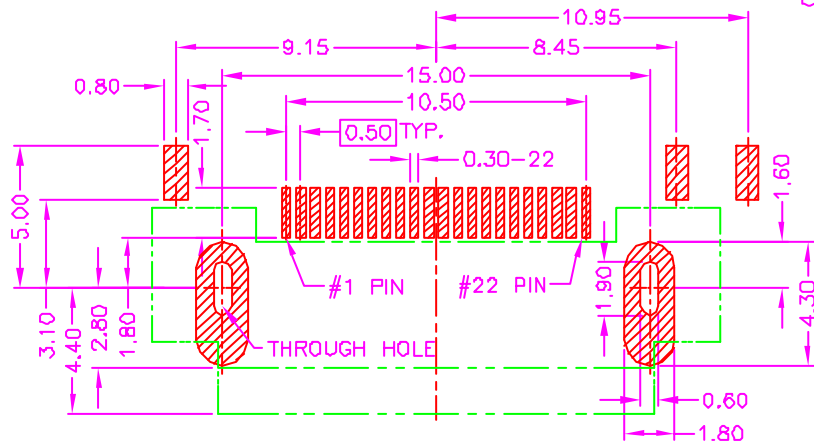
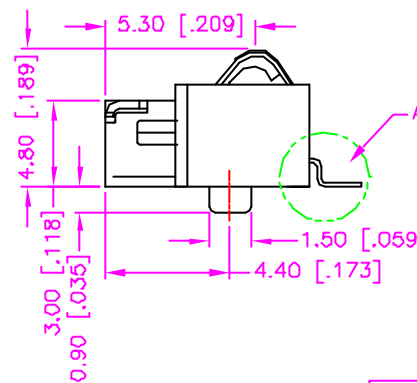
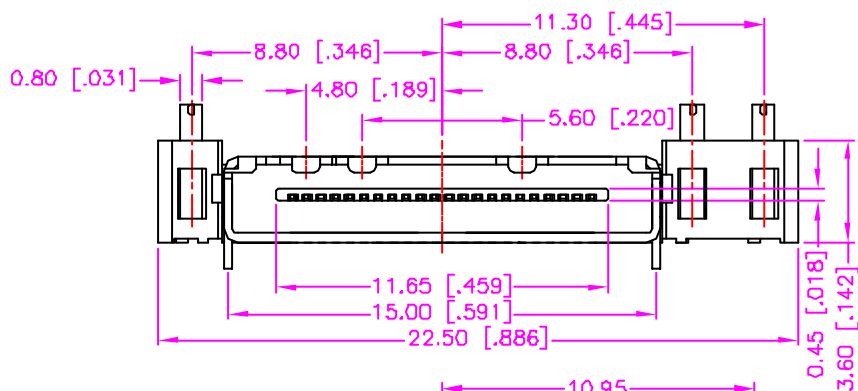
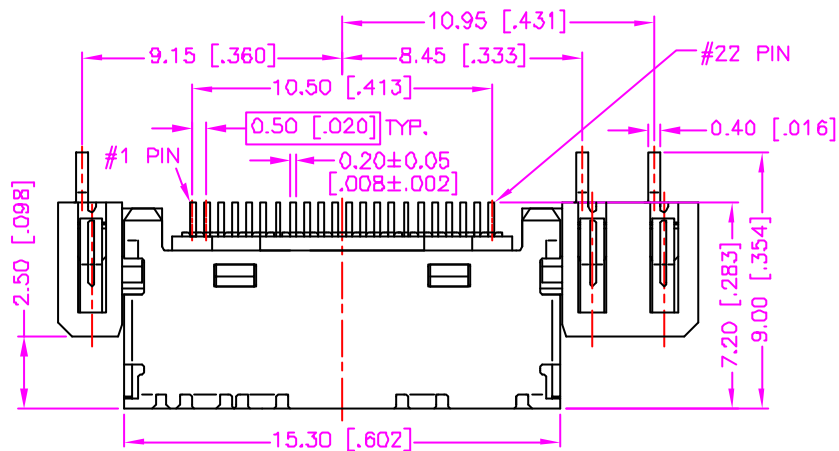
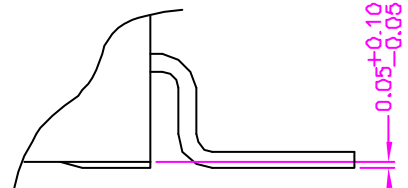


REV.	DESCRIPTION	DATE
—	RELEASE	Oct. 21, 2002
1	SHELL PLATING MODIFY	Jan. 17, 2003
2	DRAW MODIFY	Feb. 11, 2003
3	DRAW MODIFY	Apr. 23, 2003
4	F/N MODIFY	Jul. 11, 2003
5	DRAW MODIFY	Aug. 02, 2003



RECOMMEND P.C.B. LAYOUT  
TOP VIEW



DETAIL A

## MATERIALS

1. HOUSING : HI.-TEMP. PLASTIC (UL 94V-0), BLACK.
2. TERMINAL : COPPER ALLOY, GOLD PLATING.  
(t=0.20mm)
3. BATTERY TERMINAL : COPPER ALLOY, GOLD PLATING.  
(t=0.15mm)
4. SHELL : STAINLESS STEEL, NICKEL PLATING.  
(t=0.30mm)

## SPECIFICATION

1. CURRENT RATING : 1 AMP. MAX.
2. DIELECTRIC WITHSTANDING VOLTAGE :  
250V AC R.M.S. FOR ONE MINUTE.
3. INSULATION RESISTANCE : 1000M OHMS MIN.  
AT 250V DC.
4. OPERATING TEMPERATURE : -40°C TO +85°C.
5. MAX. PROCESSING TEMP. :  
230°C FOR 30 ~ 60 SECONDS.

## ORDER INFORMATION :

6191022-01\*

PACKAGE OPTIONS:  
3: TAPE PACKAGE  
7: TRAY PACKAGE

TOLERANCE		DRAWER	 ASTRON TECHNOLOGY CORP.
.0=±.3B [.015] .00=±.25 [.010] .000=±.XX .0000=±. ANG.=±3°		<i>Katherlin</i> CHECK <i>SUS</i> APP'D <i>LYN</i>	
UNITS : mm [Inch]		PRODUCT SPEC.	NAME MOBILE PHONE CONNECTOR P.C.B. MOUNT SMT, MALE 0.50mm PITCH, 22 PINS TYPE II, (C TYPE)
SCALE NONE	SIZE A4	SHEET 1 OF 1	REV. F
		DRAW NO. C797-1130	10018