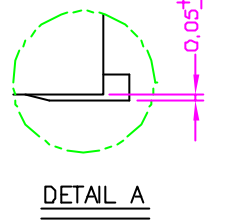
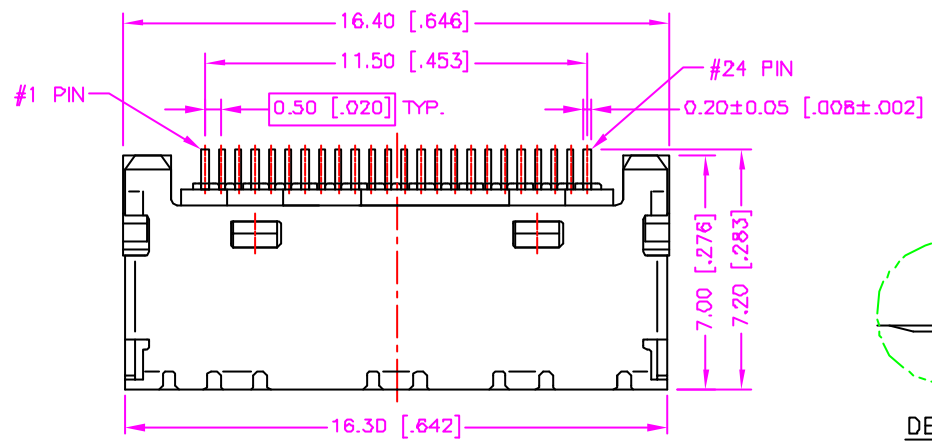


REV.	DESCRIPTION	DATE
—	RELEASE	Oct. 31, 2002
1	SHELL PLATING MODIFY	Jan. 17, 2003
2	DRAW MODIFY	Feb. 11, 2003
3	DRAW MODIFY	Apr. 23, 2003
4	DRAW MODIFY	Aug. 02, 2003

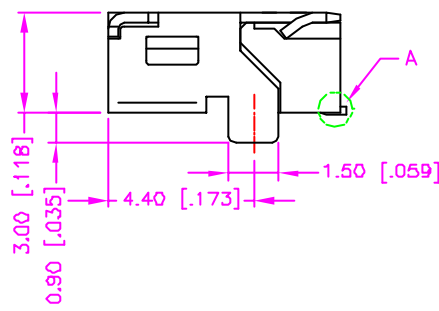
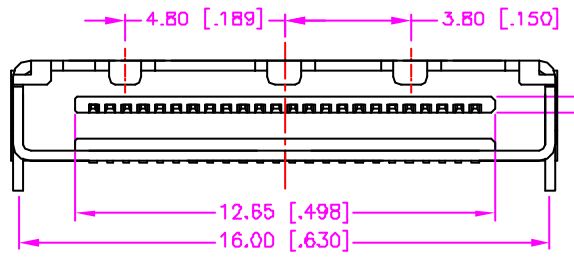


MATERIALS

1. HOUSING : HI.-TEMP. PLASTIC (UL 94V-0), BLACK.
2. TERMINAL : COPPER ALLOY, GOLD PLATING.
(t=0.20mm)
3. SHELL : STAINLESS STEEL, NICKEL PLATING.
(t=0.30mm)

SPECIFICATION

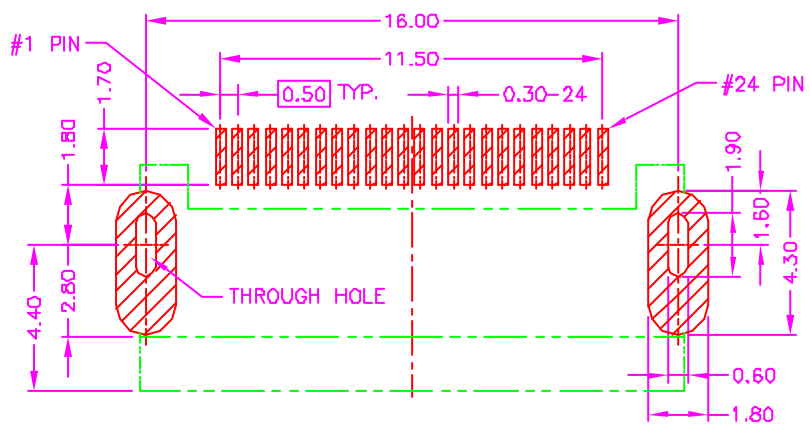
1. CURRENT RATING : 1 AMP. MAX.
2. DIELECTRIC WITHSTANDING VOLTAGE :
250V AC R.M.S. FOR ONE MINUTE.
3. INSULATION RESISTANCE : 1000M OHMS MIN.
AT 250V DC.
4. OPERATING TEMPERATURE : -40°C TO +85°C.
5. MAX. PROCESSING TEMP. :
230°C FOR 30 ~ 60 SECONDS.



ORDER INFORMATION :

6191024-00*

- PACKAGE OPTIONS
 1: TAPE PACKAGE
 5: TRAY PACKAGE



RECOMMEND P.C.B. LAYOUT
TOP VIEW

TOLERANCE .0=±.38 [.015] .00=±.25 [.010] .000=±.XXX .0000=±. ANG.=±3°	DRAWER <i>Katherine</i>	 ASTRON TECHNOLOGY CORP.
	CHECK <i>PLB</i>	
 UNITS : mm [inch]	APP'D <i>LSW</i>	DRAW NO. C797-1120
	PRODUCT SPEC.	SCALE NONE SIZE A4 SHEET 1 OF 1 REV. E
		10018