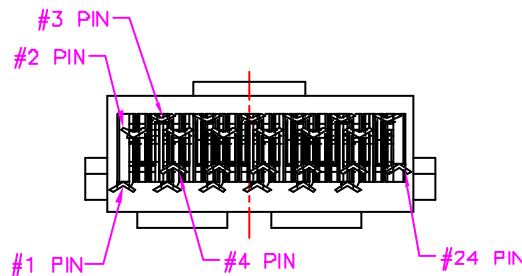
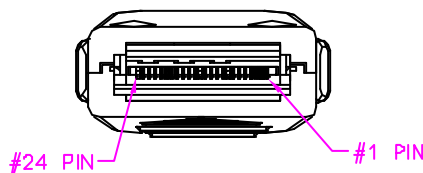
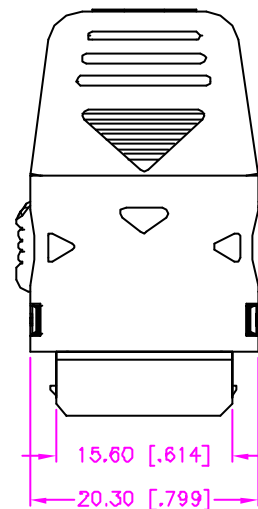
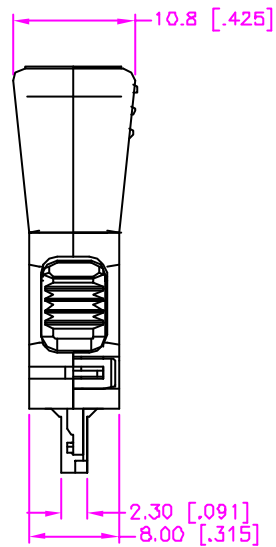
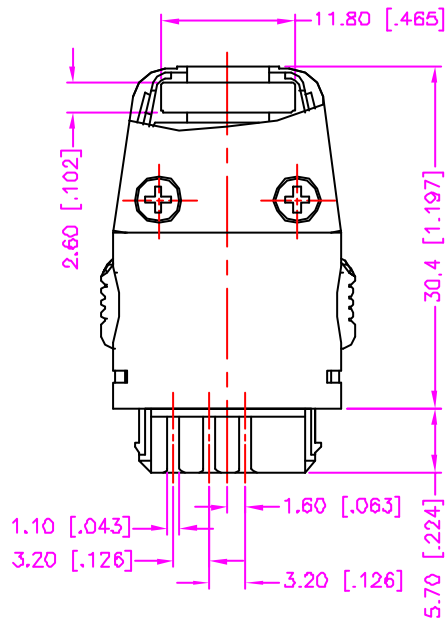
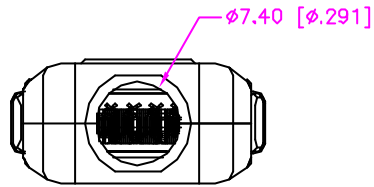


REV.	DESCRIPTION	DATE
—	RELEASE	Oct. 31, 2002
1		
2		



CIRCUITS ASSAY

MATERIALS

1. HOUSING : THERMOPLASTIC (UL 94V-0), BLACK.
2. TERMINAL : COPPER ALLOY, GOLD PLATING ON CONTACT AREA, TIN PLATING ON SOLDER TAIL.
3. LOCKING LATCH : STAINLESS STEEL.
4. SCREW : STEEL.
5. BUTTON : THERMOPLASTIC, GRAY COLOR.

SPECIFICATION

1. CURRENT RATING : 1 AMP. MAX.
2. DIELECTRIC WITHSTANDING VOLTAGE : 250V AC R.M.S. FOR ONE MINUTE.
3. INSULATION RESISTANCE : 1000M OHMS MIN. AT 250V DC.
4. CONTACT RESISTANCE : 50m OHMS MAX.
5. OPERATING TEMPERATURE : -40°C TO +85°C.

ORDER INFORMATION :

6110024-011

TOLERANCE .0=±.38 [.015] .00=±.25 [.010] .000=±.XXX .0000=±. ANG.=±3°	DRAWER <i>Koetherlin</i>	Astron ASTRON TECHNOLOGY CORP. NAME MOBILE PHONE CONNECTOR CABLE ASSEMBLY 0.5Dmm PITCH PLUG, 24 PINS TYPE
	CHECK <i>MS</i>	
UNITS : mm [inch]	APP'D <i>ALBT</i>	DRAW NO. C797-1119
	SCALE NONE	PRODUCT SPEC.
SIZE A4	REV. A	10018