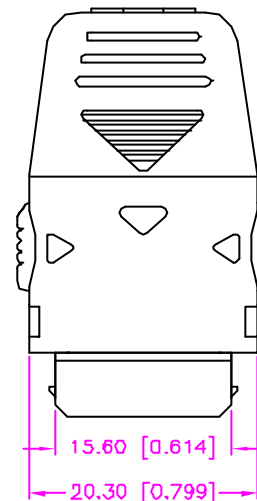
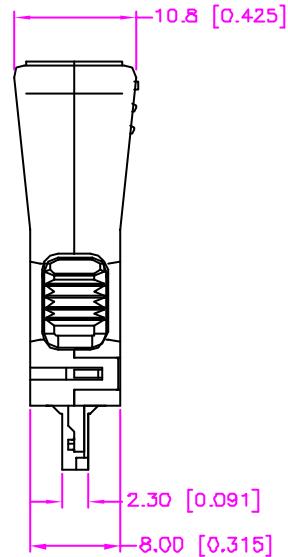
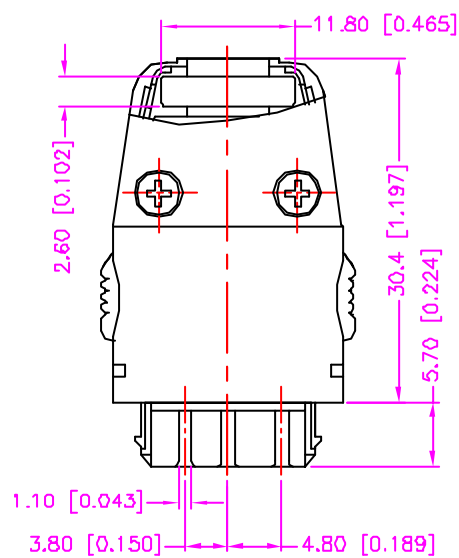
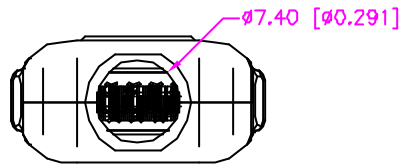


REV.	DESCRIPTION	DATE
—	RELEASE	Oct. 31, 2002
1		
2		



MATERIALS

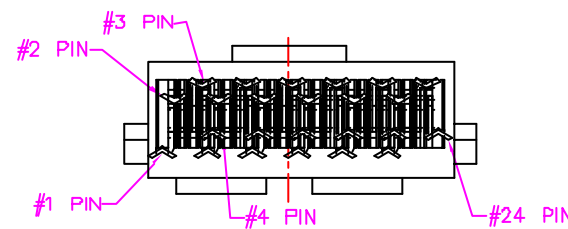
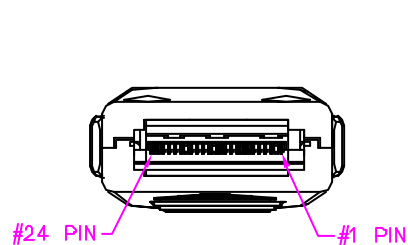
1. HOUSING : THERMOPLASTIC (UL 94V-0), BLACK.
2. TERMINAL : COPPER ALLOY, GOLD PLATING ON CONTACT AREA, TIN PLATING ON SOLDER TAIL.
3. LOCKING LATCH : STAINLESS STEEL.
4. SCREW : STEEL.
5. BUTTON : THERMOPLASTIC, GRAY COLOR.

SPECIFICATION

1. CURRENT RATING : 1 AMP. MAX.
2. DIELECTRIC WITHSTANDING VOLTAGE : 250V AC R.M.S. FOR ONE MINUTE.
3. INSULATION RESISTANCE : 1000M OHMS MIN. AT 250V DC.
4. CONTACT RESISTANCE : 50m OHMS MAX.
5. OPERATING TEMPERATURE : -40°C TO +85°C.

ORDER INFORMATION :

6110024-001



CIRCUITS ARRAY

TOLERANCE .0±.38 [.015] .00±.25 [.010] .000±.XXX .0000±. ANG.=±3°		DRAWER <i>Koetherlin</i>	ASTRON ASTRON TECHNOLOGY CORP.
UNITS : mm [inch]		CHECK <i>MS</i>	
SCALE NONE		APP'D <i>ALBT</i>	NAME MOBILE PHONE CONNECTOR CABLE ASSEMBLY 0.5Dmm PITCH PLUG, 24 PINS TYPE
SIZE A4		PRODUCT SPEC.	DRAW NO. C797-1118
SHEET 1 OF 1		REV. A	10018