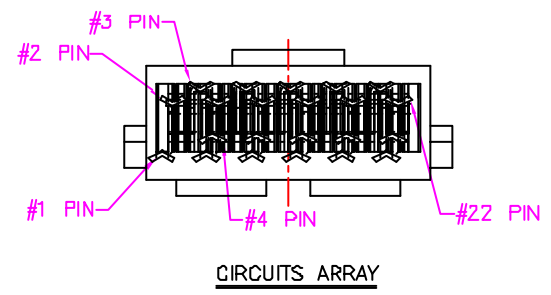
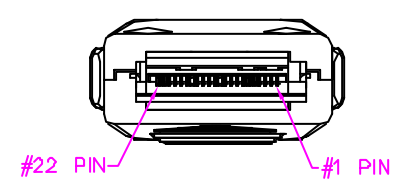
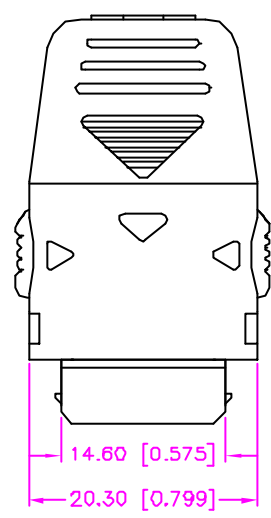
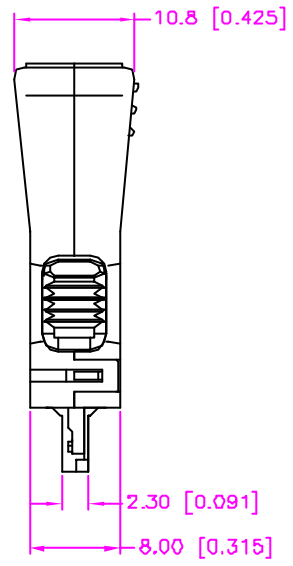
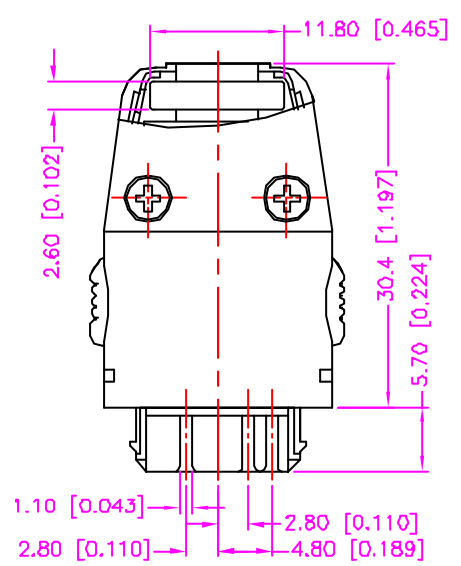
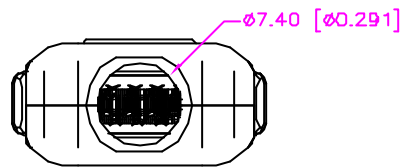


REV.	DESCRIPTION	DATE
1	RELEASE	Oct. 31, 2002
2		



MATERIALS

1. HOUSING : THERMOPLASTIC (UL 94V-0), BLACK.
2. TERMINAL : COPPER ALLOY, GOLD PLATING ON CONTACT AREA, TIN PLATING ON SOLDER TAIL.
3. LOCKING LATCH : STAINLESS STEEL.
4. SCREW : STEEL.
5. BUTTON : THERMOPLASTIC, GRAY COLOR.

SPECIFICATION

1. CURRENT RATING : 1 AMP. MAX.
2. DIELECTRIC WITHSTANDING VOLTAGE : 250V AC R.M.S. FOR ONE MINUTE.
3. INSULATION RESISTANCE : 1000M OHMS MIN. AT 250V DC.
4. CONTACT RESISTANCE : 50m OHMS MAX.
5. OPERATING TEMPERATURE : -40°C TO +85°C.

ORDER INFORMATION :

6110022-011

TOLERANCE		DRAWER		Astron ASTRON TECHNOLOGY CORP.
.0=±.38 [.015]		Katherlin		
.00=±.25 [.010]		CHECK NLS		
.000=±.XXX		APP'D ALBT		
.0000=±.		PRODUCT SPEC.		NAME MOBILE PHONE CONNECTOR CABLE ASSEMBLY
ANG.=±3°				0.50mm PITCH PLUG , 22 PINS TYPE
UNITS : mm [inch]				DRAW NO. C797-1117
SCALE NONE	SIZE A4	SHEET 1 OF 1	REV. A	10018