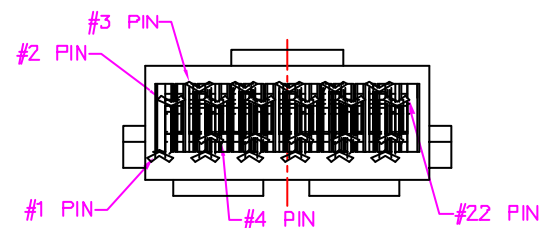
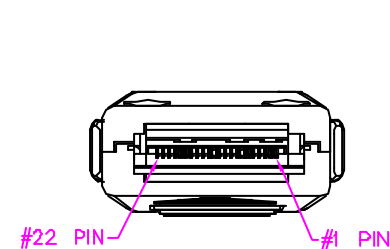
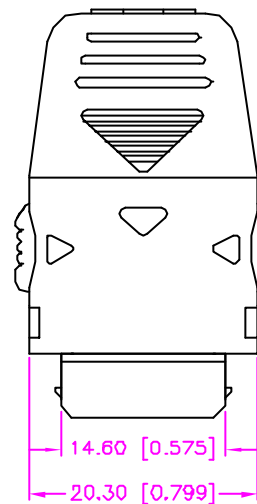
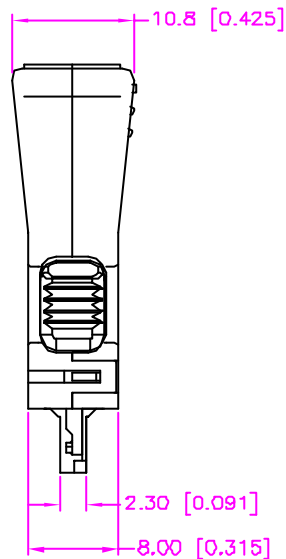
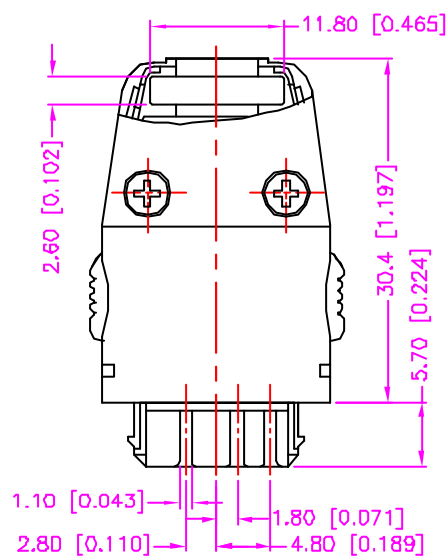
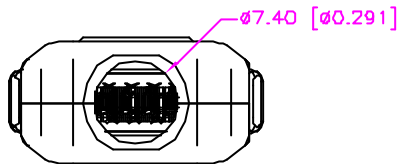


REV.	DESCRIPTION	DATE
—	RELEASE	Oct. 31, 2002
1		
2		



CIRCUITS ARRAY

MATERIALS

1. HOUSING : THERMOPLASTIC (UL 94V-0), BLACK.
2. TERMINAL : COPPER ALLOY, GOLD PLATING ON CONTACT AREA, TIN PLATING ON SOLDER TAIL.
3. LOCKING LATCH : STAINLESS STEEL.
4. SCREW : STEEL.
5. BUTTON : THERMOPLASTIC, GRAY COLOR.

SPECIFICATION

1. CURRENT RATING : 1 AMP. MAX.
2. DIELECTRIC WITHSTANDING VOLTAGE : 250V AC R.M.S. FOR ONE MINUTE.
3. INSULATION RESISTANCE : 1000M OHMS MIN. AT 250V DC.
4. CONTACT RESISTANCE : 50m OHMS MAX.
5. OPERATING TEMPERATURE : -40°C TO +85°C.

ORDER INFORMATION :

6110022-001

TOLERANCE .0 = ±.38 [0.15] .00 = ±.25 [0.10] .000 = ±.XXX .0000 = ±. ANG. = ±3°		DRAWER <i>Kathelin</i>	 ASTRON TECHNOLOGY CORP. NAME MOBILE PHONE CONNECTOR CABLE ASSEMBLY 0.50mm PITCH PLUG, 22 PINS TYPE
UNITS : mm [inch]		CHECK <i>NU</i> APP'D <i>ALLI</i> PRODUCT SPEC.	
SCALE NONE	SIZE A4	SHEET 1 OF 1	REV. A
DRAW NO. C797-1116		DRAW NO. 10018	