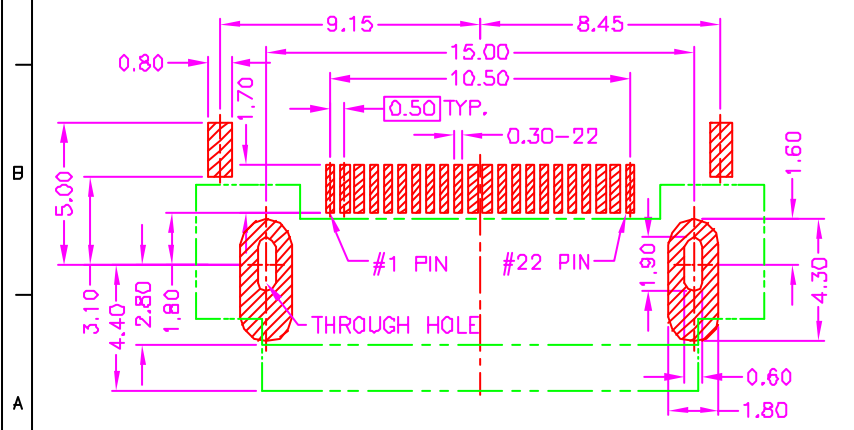
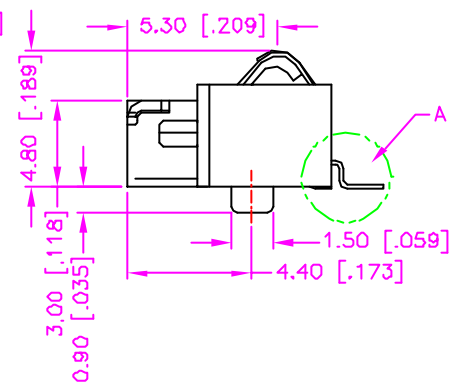
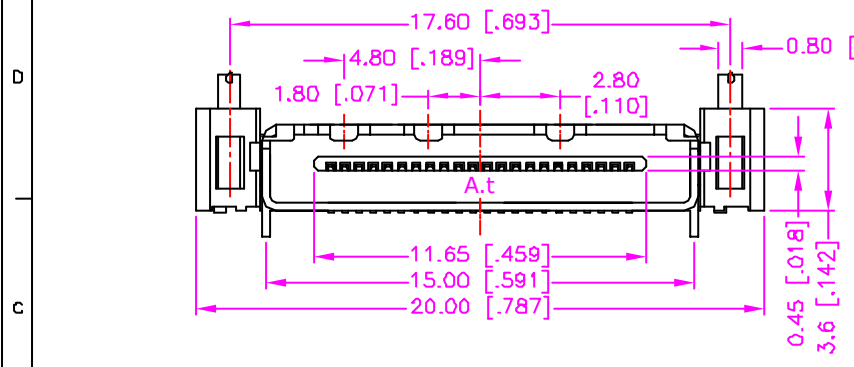
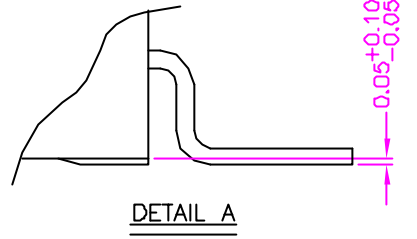
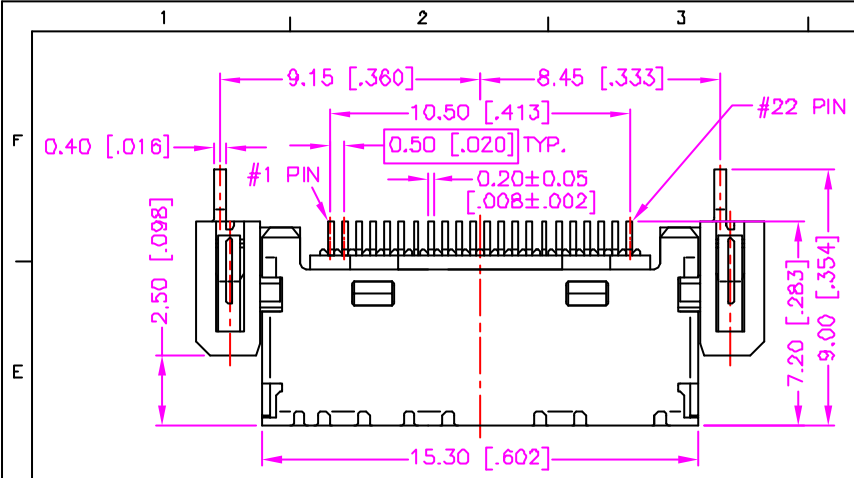


REV.	DESCRIPTION	DATE
—	RELEASE	Oct. 21, 2002
1	SHELL PLATING MODIFY	Jan. 17, 2003
2	DRAW MODIFY	Feb. 10, 2003
3	DRAW MODIFY	Apr. 22, 2003
4	P/N MODIFY	Jul. 11, 2003
5	DRAW MODIFY	Aug. 02, 2003



RECOMMEND P.C.B. LAYOUT
TOP VIEW

MATERIALS

1. HOUSING : HI.-TEMP. PLASTIC (UL 94V-0), BLACK.
2. TERMINAL : COPPER ALLOY, GOLD PLATING.
(t=0.20mm)
3. BATTERY TERMINAL : COPPER ALLOY, GOLD PLATING.
(t=0.15mm)
4. SHELL : STAINLESS STEEL, NICKEL PLATING.
(t=0.30mm)


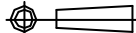
SPECIFICATION

1. CURRENT RATING : 1 AMP. MAX.
2. DIELECTRIC WITHSTANDING VOLTAGE :
250V AC R.M.S. FOR ONE MINUTE.
3. INSULATION RESISTANCE : 1000M OHMS MIN.
AT 250V DC.
4. OPERATING TEMPERATURE : -40°C TO +85°C.
5. MAX. PROCESSING TEMP. :
230°C FOR 30 ~ 60 SECONDS.

ORDER INFORMATION :

6191022-00*

- PACKAGE OPTIONS
2: TAPE PACKAGE
6: TRAY PACKAGE

TOLERANCE .0=±.38 [.015] .00=±.25 [.010] .000=±.XXX .0000=±. ANG.=±3°		DRAWER <i>Katharin</i>	 ASTRON TECHNOLOGY CORP.
 UNITS : mm [inch]		CHECK <i>SUS</i>	
SCALE NONE	SIZE A4	APP'D <i>SPON</i>	PRODUCT SPEC.
SHEET 1 OF 1	REV. F	DRAW NO. C797-1113	
		10018	