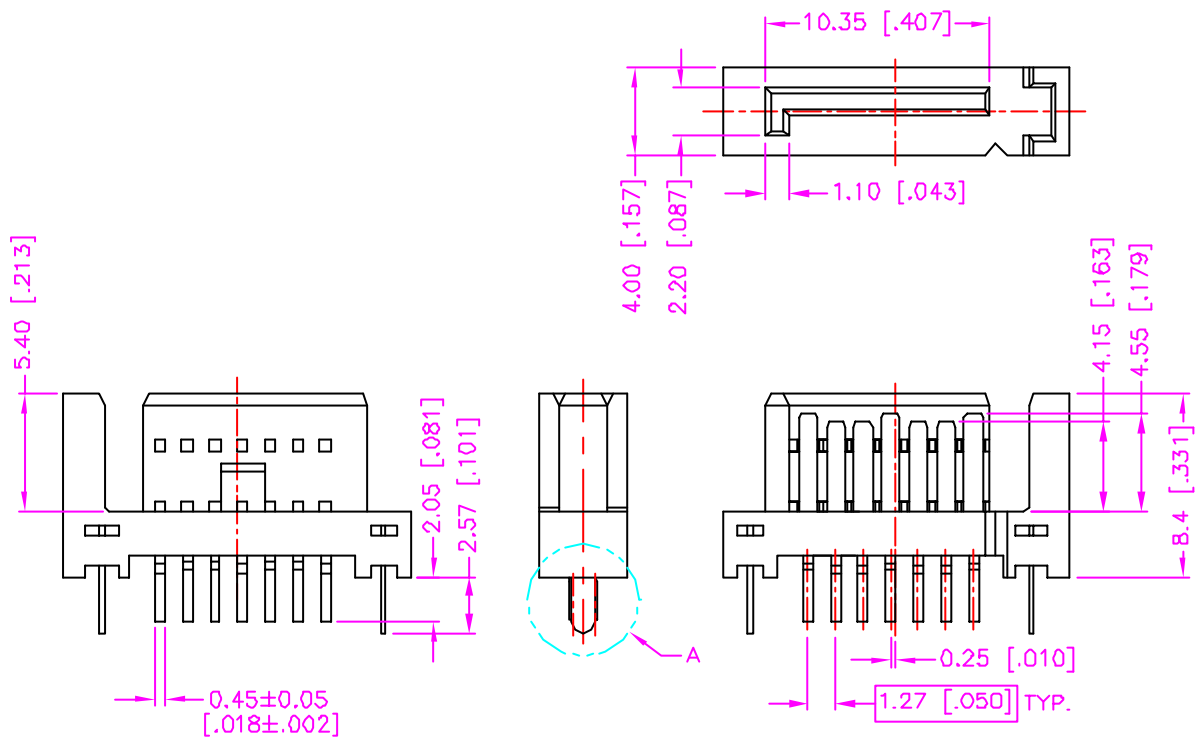


REV.	DESCRIPTION	DATE
—	RELEASE	Jun. 28, 2002
1	DRAW MODIFY	Jul. 19, 2002
2		



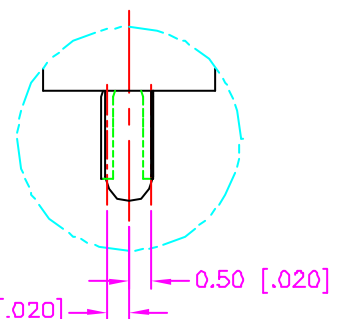
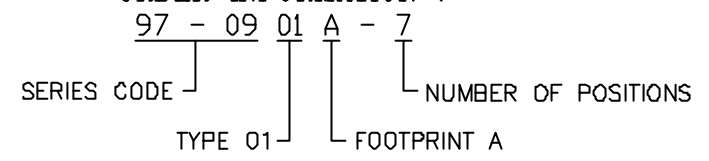
### MATERIALS

1. HOUSING : THERMOPLASTIC (UL 94V-0), BLACK.
2. TERMINAL : COPPER ALLOY, GOLD PLATING ON CONTACT AREA, TIN/LEAD PLATING ON SOLDER TAIL. (t=0.25mm)

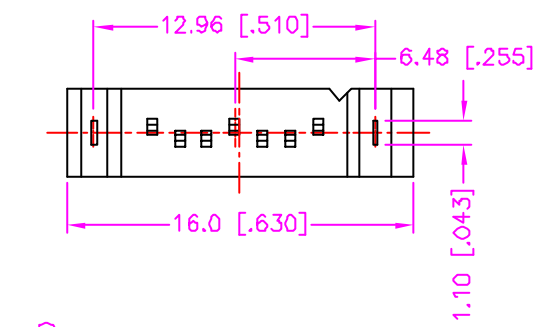
### SPECIFICATION

1. CURRENT RATING : 1.5 AMP. MAX.
2. DIELECTRIC WITHSTANDING VOLTAGE : 500V AC R.M.S. FOR ONE MINUTE.
3. INSULATION RESISTANCE : 1000M OHMS MIN. AT 500V DC.
4. CONTACT RESISTANCE : 30m OHMS MAX.
5. OPERATING TEMPERATURE : -55°C TO +105°C.

### ORDER INFORMATION :



A DETAIL



RECOMMEND P.C.B. LAYOUT  
BOTTOM VIEW

TOLERANCE		DRAWER		 ASTRON TECHNOLOGY CORP.
.0=±0.30 [.012]		Katherine		
.00=±0.20 [.008]		CHECK Sue		
.000=±.XXX		APP'D Wisely		
.0000=±.		PRODUCT SPEC.		NAME SERIAL ATA CONNECTOR
ANG.=±3°		—		P.C.B. MOUNT VERTIAL, SIGNAL PLUG STRAIGHT, FOOTPRINT A
UNITS : mm [inch]		DRAW NO.		C797-0901
SCALE NONE	SIZE A4	SHEET 1 OF 1	REV. B	10018