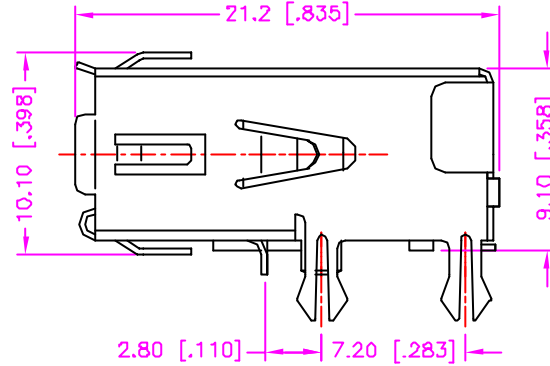
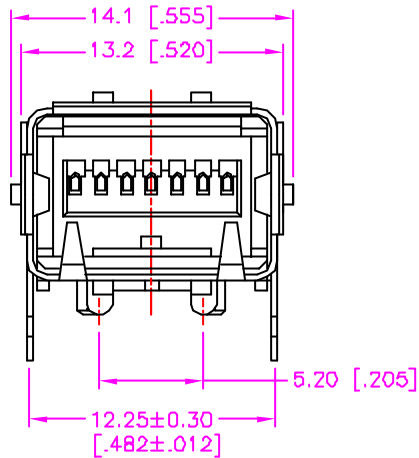


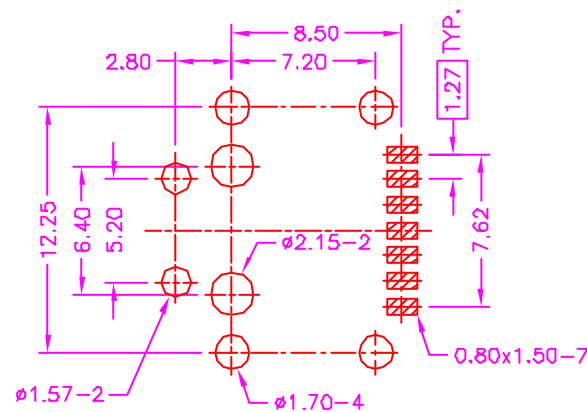
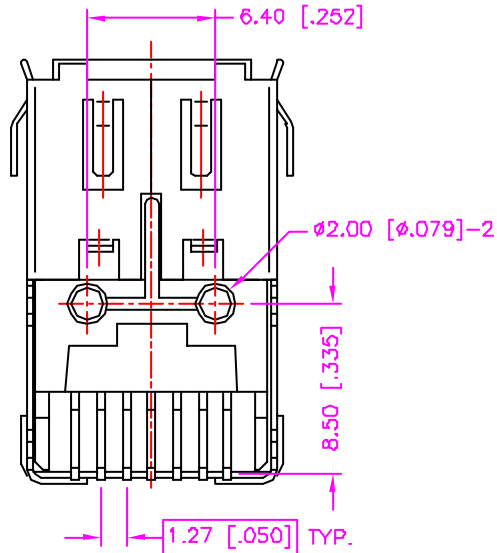
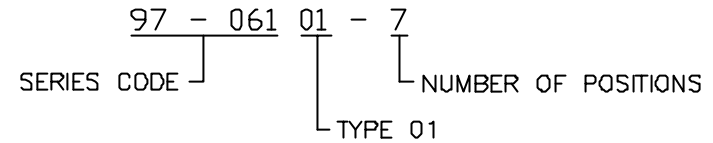
REV.	DESCRIPTION	DATE
—	RELEASE	Jul. 6, 2001
1		
2		



MATERIALS

- HOUSING : HI.-TEMP. PLASTIC (UL 94V-0), WHITE.
- TERMINAL : COPPER ALLOY, 30u" GOLD PLATING ON CONTACT AREA, TIN/LEAD PLATING ON SOLDER TAIL. (t=0.20mm)
- SHELL : COPPER ALLOY, TIN PLATING. (t=0.30mm)

ORDER INFORMATION :



RECOMMEND P.C.B. LAYOUT
TOP VIEW

TOLERANCE .0=±.030 [.012] .00=±0.20 [.008] .000=±.XXX .0000=±. ANG.=±3°	DRAWER <i>Kathleen</i>	Astron ASTRON TECHNOLOGY CORP.
	CHECK <i>SUE</i>	
UNITS : mm [inch]	APP'D <i>ASL</i>	DRAW NO. C797-0601
SCALE NONE	SIZE A4	SHEET 1 OF 1
	REV. A	10018