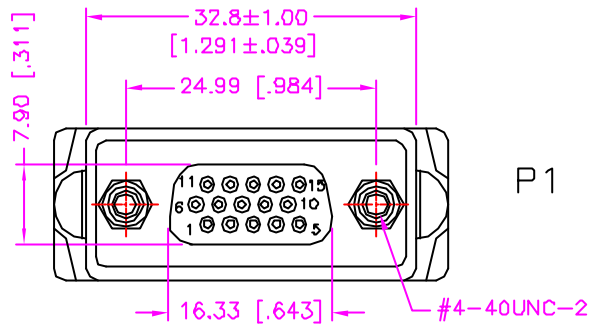


REV.	DESCRIPTION	DATE
—	RELEASE	Dec. 27, 2001
1	P/N MODIFY	Apr. 10, 2002
2	P/N MODIFY	Jun. 29, 2002
3	P/N MODIFY	Aug. 16, 2002



P1

MATERIALS

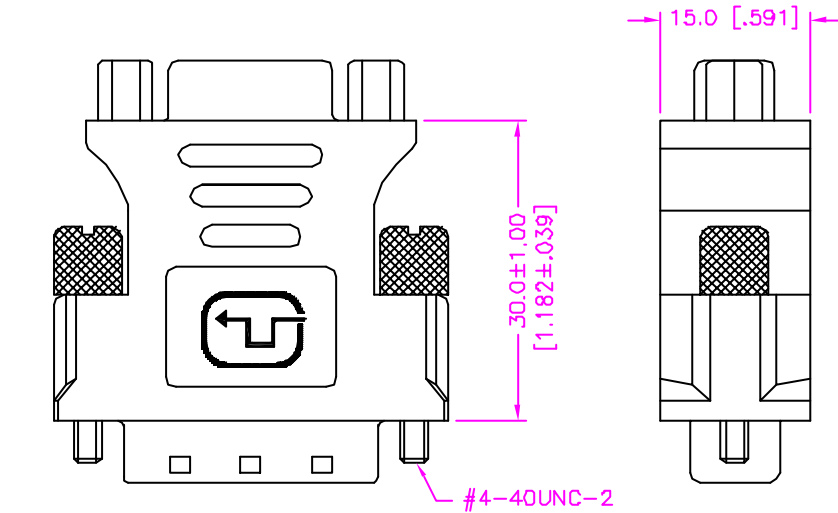
- HOUSING : POLYESTER (UL 94V-0).
HD-15F : BLUE.
DVI-29M : NATURE.
- TERMINAL : COPPER ALLOY, GOLD PLATING.
- HOOD : P.V.C.,
- SHELL : STEEL, NICKEL PLATING.

SPECIFICATION

- CURRENT RATING : 1.5 AMP. MAX.
- DIELECTRIC WITHSTANDING VOLTAGE :
500V AC R.M.S. FOR ONE MINUTE.
- INSULATION RESISTANCE : 50M OHMS MIN.
AT 500V DC.
- CONTACT RESISTANCE : 1 OHMS MAX.
- OPERATING TEMPERATURE : -25°C TO +85°C.
- DURABILITY : 500 CYCLES.

ORDER INFORMATION :

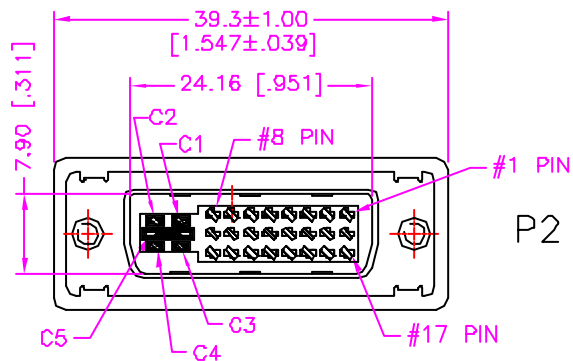
97-0109 **
 SERIES CODE HOOD COLOR OPTIONS
 01 : BEIGE
 02 : TRANSPARENT
 05 : WHITE



PIN OUT

P1	P2
1	C1
2	C2
3	C3
5	15
6	C5
7	C5
8	C5
9	14
9	16
10	15
12	7
13	C4
14	8
15	6

SHIELD — GROUND — SHIELD



P2

TOLERANCE .0=±.38 [.015] .00=±.25 [.010] .000=±.xxx .000=±. ANG.=±3°	DRAWER <i>pu8</i>	 ASTRON TECHNOLOGY CORP.
	CHECK <i>Katherine</i>	
 UNITS : mm [inch]	APP'D <i>ASL</i>	DRAW NO. C797-0110
SCALE NONE	SIZE A4	SHEET 1 OF 1
REV. D	REV. D	20002/10018