

REV.	DESCRIPTION	DATE
—	RELEASE	Sep. 17, 2003
1		
2		

MATERIALS

1. HOUSING : THERMOPLASTIC (UL 94V-D).
2. TERMINAL : COPPER ALLOY, GOLD PLATING ON CONTACT, TIN PLATING ON SOLDER TAIL.
3. FRONT SHIELD : BRASS, TIN PLATING. (t=0.30mm)
4. BACK SHIELD : BRASS, NICKEL PLATING. (t=0.30mm)
5. DRIVE IC : COPPER ALLOY, TIN PLATING.

SPECIFICATION

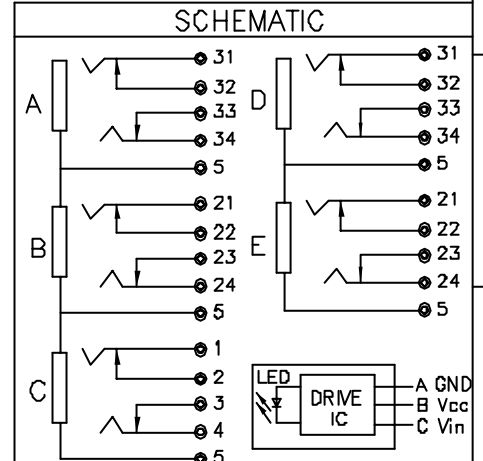
1. CURRENT RATING : 0.3 AMP. MAX.
2. DIELECTRIC WITHSTANDING VOLTAGE : 500V AC R.M.S. FOR ONE MINUTE.
3. INSULATION RESISTANCE : 100M OHMS MIN. AT 50V DC
4. CONTACT RESISTANCE : 50m OHMS MAX.
5. OPERATING TEMPERATURE : -25°C TO +85°C.
6. DURABILITY : 5000 CYCLES.
7. MATING FORCE : 0.4 ~ 3.0kgs
8. UNMATING FORCE : 0.4 ~ 3.0kgs.

ORDER INFORMATION

58-0302-01-*****

BUSHING COLOR OPTIONS
(A, B, C, D, E)

- 1: BLACK
- 2: PANTONE BLUE 284C
- 3: PANTONE GREEN 577C
- 4: PANTONE PINK 701C
- 5: PANTONE ORANGE 157C



TOLERANCE		DRAWER	
.0=±0.30 [.012]		Katherlin	
.00=±0.20 [.008]		CHECK	
.000=±.XXX		MUS	
.0000=±.		APP'D	
ANG.=±3°		LION	
UNITS : mm [inch]		PRODUCT SPEC.	
SCALE NDNE		SHEET 1 OF 1	
SIZE A4		REV. A	

Astron	
ASTRON TECHNOLOGY CORP.	
NAME	
FIBER OPTICS COMBO CONNECTOR	
Ø3.50mm DIA. EARPHONE JACK & FIBER OPTICS TRANSMITTER TYPE	
DRAW NO.	
C758-0302	
08005	

