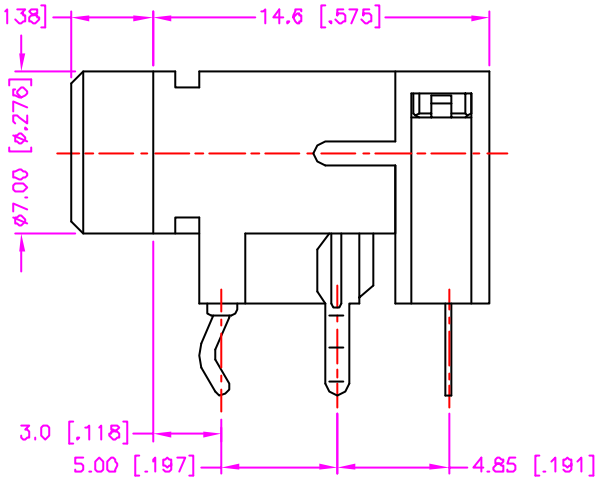
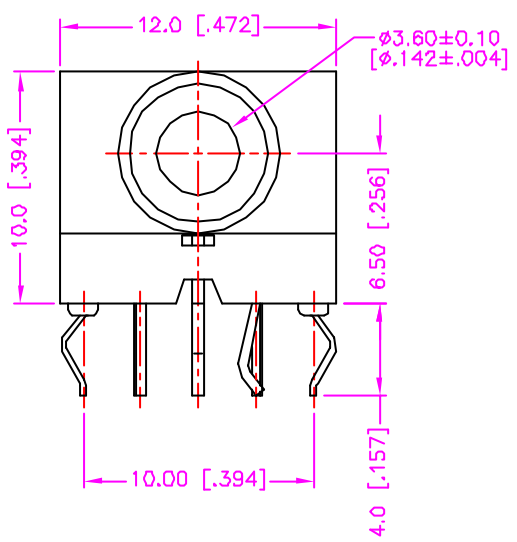


REV.	DESCRIPTION	DATE
A	RELEASE	Oct. 03, 2003
a	DRAW MODIFY	Dec. 25, 2003
c	DRAW MODIFY	Jan. 29, 2004



MATERIALS

1. HOUSING : POLYESTER (UL 94V-0).
2. COVER : POLYESTER (UL 94V-0), BLACK.
3. MINOR HOUSING : POLYESTER (UL 94V-0), BLACK.
4. TERMINAL : COPPER ALLOY, TIN PLATING.
5. DRIVE IC : COPPER ALLOY, TIN PLATING.

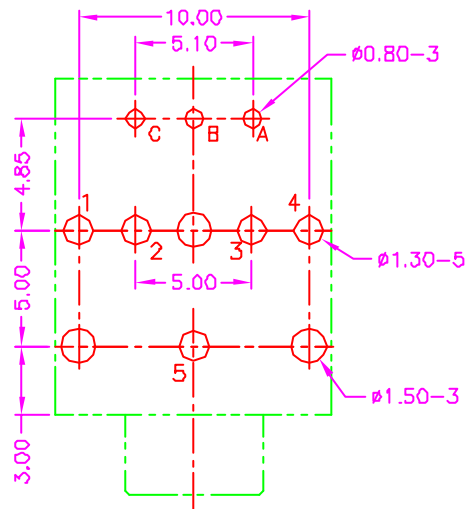
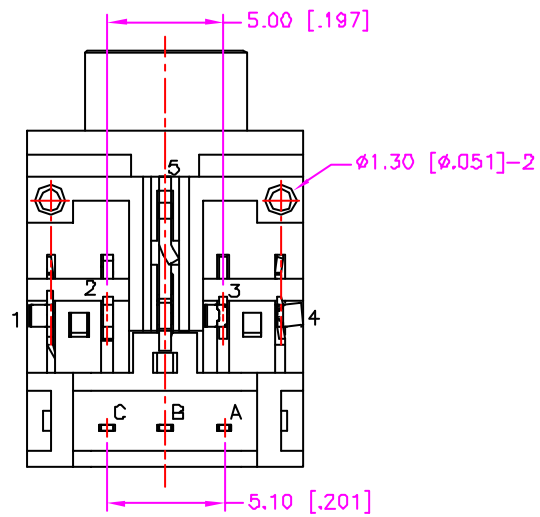
SPECIFICATION

1. CURRENT RATING : 0.3 AMP. MAX.
2. DIELECTRIC WITHSTANDING VOLTAGE : 500V AC R.M.S. FOR ONE MINUTE.
3. INSULATION RESISTANCE : 100M OHMS MIN. AT 500V DC.
4. CONTACT RESISTANCE : 50m OHMS MAX.
5. OPERATING TEMPERATURE : -25°C TO +85°C
6. DURABILITY : 5000 CYCLES.
7. MATING FORCE : 0.4 ~ 3.0kgs.
8. UNMATING FORCE : 0.4 ~ 3.0kgs.

ORDER INFORMATION :

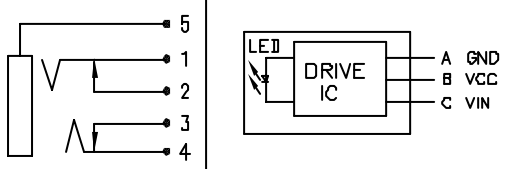
58-0203-*

↳ EARPHONE JACK HOUSING COLDER OPTIONS
 S2 : PANTONE GREEN 577C
 BLANK : BLACK



RECOMMEND P.C.B. LAYOUT
 TOP VIEW

SCHEMATIC



TOLERANCE .0=±0.30 [.012] .00=±0.20 [.008] .000=±.XXX .0000=±. ANG.=±3°	DRAWER <i>SUE</i>	Astron WWW.ASTRON.COM.TW
	CHECK <i>Katherlin</i>	
	APP'D <i>LFON</i>	DRAW NO. C758-0203
UNITS : mm [inch]	PRODUCT SPEC. —	REV. C
SCALE NONE	SIZE A4	SHEET 1 OF 1
		08005