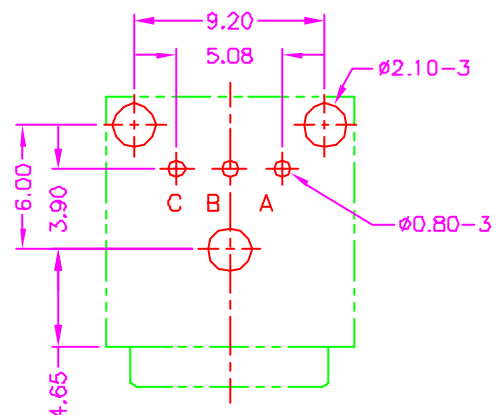
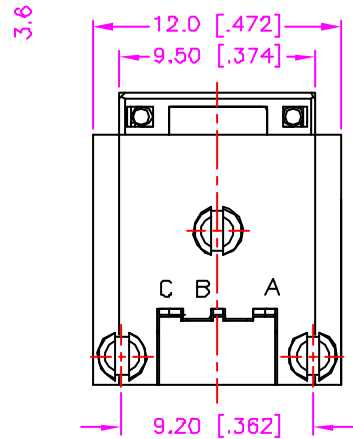
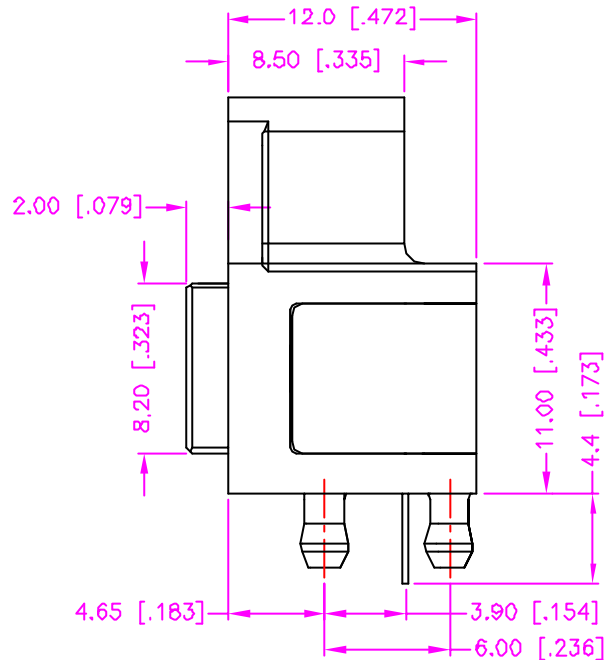
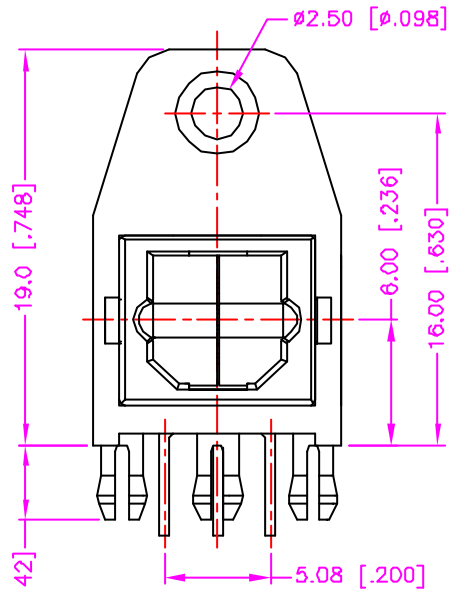


| REV. | DESCRIPTION | DATE |
|------|-------------|---------------|
| — | RELEASE | Nov. 08, 2003 |
| 1 | | |
| 2 | | |

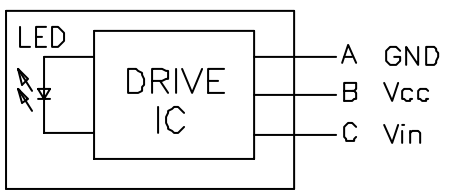
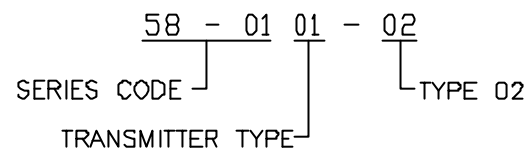


**RECOMMEND P.C.B. LAYOUT
TOP VIEW**

MATERIALS

1. HOUSING : POLYESTER (UL 94V-0), BLACK.
2. COVER : POLYESTER (UL 94V-0), BLACK.
3. FRAME : POLYAMIDE (UL 94V-0), BLACK.
4. GATE : POLYAMIDE (UL 94V-0), PANTONE GREEN 577C.
5. COIL SPRING : STAINLESS STEEL.
6. DRIVE IC : COPPER ALLOY, TIN PLATING.

ORDER INFORMATION :



| | | |
|--|----------------------------|--|
| TOLERANCE .0=±0.30 [.012] .00=±0.20 [.008] .000=±.XXX .0000=±. ANG.=±3° | DRAWER <i>Katherine</i> | Astron ASTRON TECHNOLOGY CORP. |
| | CHECK <i>PUE</i> | |
| UNITS : mm [inch] | APP'D <i>LPOW</i> | DRAW NO. C758-0103 |
| SCALE NONE SIZE A4 | SHEET 1 OF 1 REV. A | 08005 |