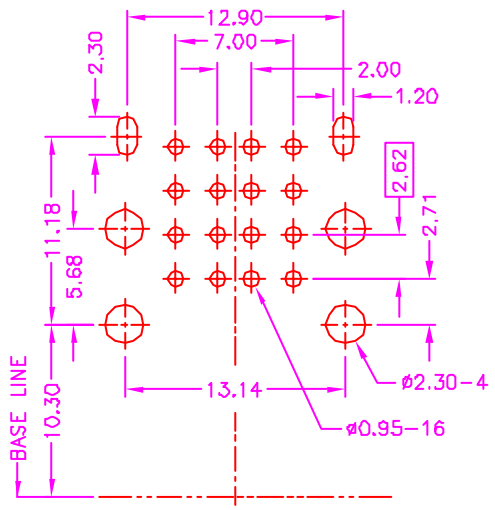
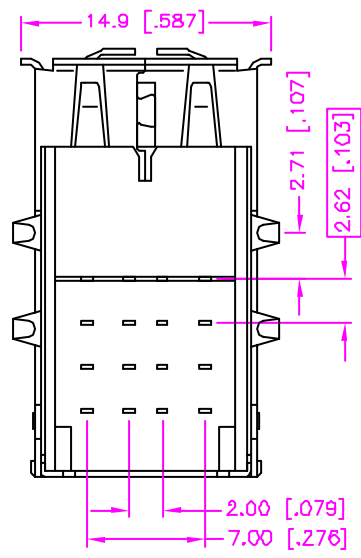
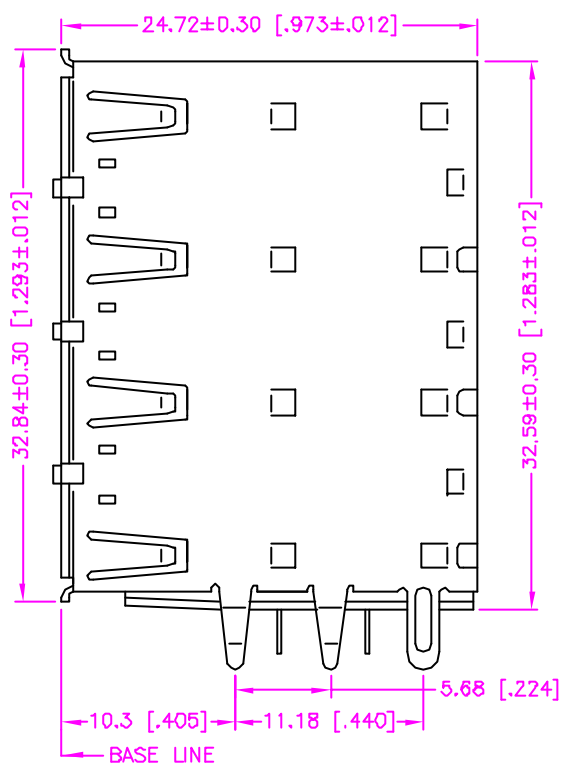
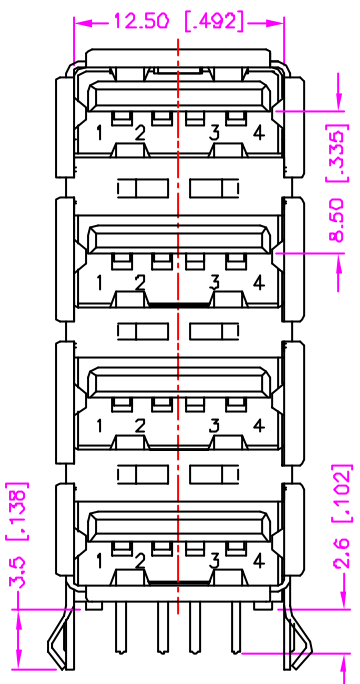


REV.	DESCRIPTION	DATE
—	RELEASE	Dec. 17, 2002
1		
2		



RECOMMEND P.C.B. LAYOUT
TOP VIEW

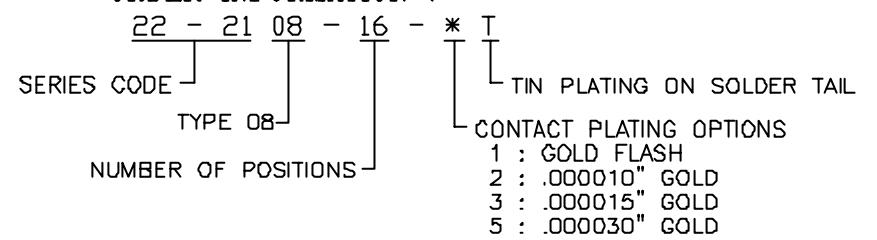
MATERIALS

- HOUSING : POLYESTER (UL 94V-0), BLACK.
- TERMINAL : PHOSPHOR BRONZE. (t=0.25mm)
- FRONT SHELL : COPPER ALLOY, TIN PLATING. (t=0.40mm)
- REAR SHELL : SPCC, NICKEL PLATING. (t=0.30mm)

SPECIFICATION

- CURRENT RATING : 1.5 AMP. MAX.
- DIELECTRIC WITHSTANDING VOLTAGE : 750V AC R.M.S. FOR ONE MINUTE.
- INSULATION RESISTANCE : 1000M OHMS MIN. AT 500V DC.
- CONTACT RESISTANCE : 30m OHMS MAX.
- OPERATING TEMPERATURE : -40°C TO +85°C.
- DURABILITY : 1500 CYCLES.
- MATING FORCE : 1.2 ~ 3.6kgs.
- UNMATING FORCE : 1.2 ~ 3.6kgs.

ORDER INFORMATION :



TOLERANCE .0=±.030 [.012] .00=±.020 [.008] .000=±.XXX .0000=±. ANG.=±3'	DRAWER <i>Kathenlin</i> CHECK <i>Lion</i> APP'D <i>PLB</i> PRODUCT SPEC.	Astron ASTRON TECHNOLOGY CORP. NAME STACKED USB P.C.B. MOUNT A TYPE, R/A, METAL SHIELD, FEMALE
UNITS : mm [inch]	DRAW NO. C622-0509	
SCALE NONE	SIZE A4	SHEET 1 OF 1
	REV. A	DR8001