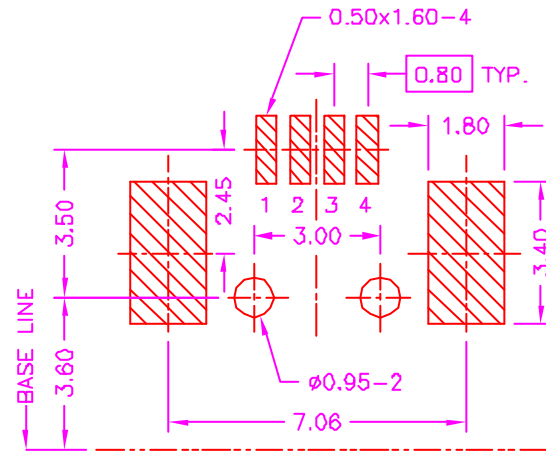
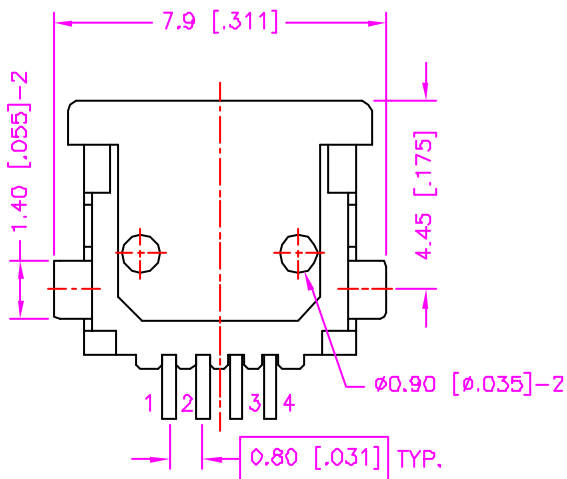
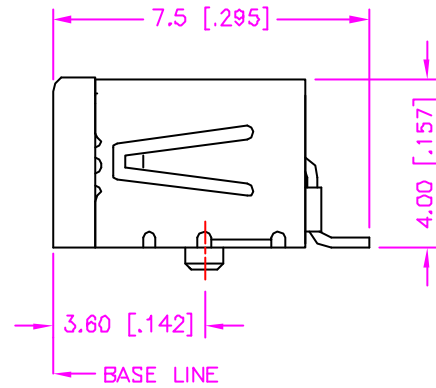
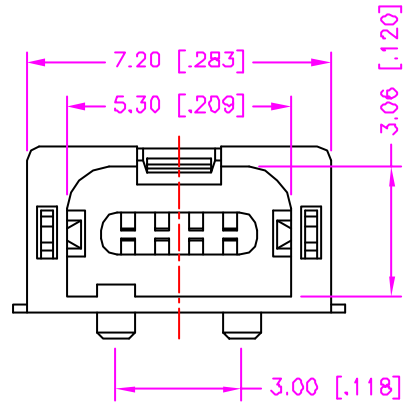


REV.	DESCRIPTION	DATE
A	RELEASE	Jul. 15, 2003
B	DRAW MODIFY	Dec. 25, 2003
C	DRAW MODIFY	Jan. 12, 2004
D	DRAW MODIFY	Jan. 28, 2004



RECOMMEND P.C.B. LAYOUT  
TOP VIEW

### MATERIALS

1. HOUSING : HI.-TEMP. PLASTIC (UL 94V-0), BLACK.
2. TERMINAL : PHOSPHOR BRONZE. (t=0.25mm)
3. SHELL : BRASS, NICKEL PLATING. (t=0.20mm)

### SPECIFICATION

1. CURRENT RATING : 1 AMP. MAX.
2. DIELECTRIC WITHSTANDING VOLTAGE : 100V AC R.M.S. FOR ONE MINUTE.
3. INSULATION RESISTANCE : 100M OHMS MIN. AT 100V DC.
4. CONTACT RESISTANCE : 50m OHMS MAX.
5. OPERATING TEMPERATURE : 25°C TO +80°C.
6. MAX. PROCESSING TEMP. : 230°C FOR 30 ~ 60 SECONDS.

### ORDER INFORMATION :

22 - 06 04 - 4 - 5 T - \*\*

SERIES CODE

TYPE 04

NUMBER OF POSITIONS

30u" GOLD PLATING ON CONTACT AREA


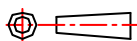
TIN PLATING ON SOLDER TAIL

PACKAGE OPTIONS

BLANK : TRAY

TR : TAPE & REEL

TB : TUBE PACKAGE

TOLERANCE .0=±0.30 [.012] .00=±0.20 [.008] .000=±.XXX .0000=±. ANG.=±3°	DRAWER <i>MUS</i> CHECK <i>Katherlin</i> APP'D <i>LFON</i> PRODUCT SPEC. —	 <b>WWW.ASTRON.COM.TW</b> NAME MINI. USB P.C.B. MOUNT A TYPE, SMT METAL SHIELD, FEMALE (H)
 UNITS : mm [inch]	DRAW NO. C622-0405	
SCALE NONE	SIZE A4	SHEET 1 OF 1
	REV. D	09015