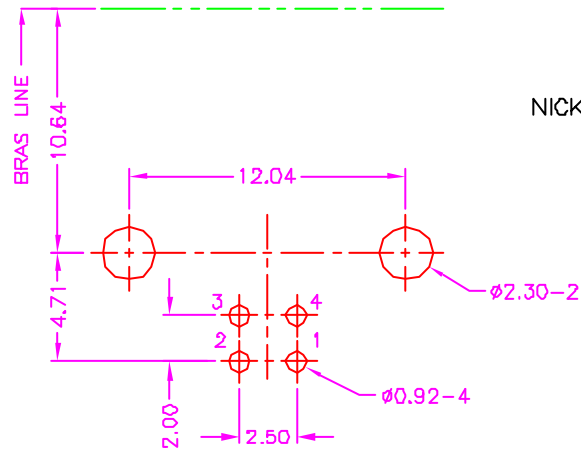
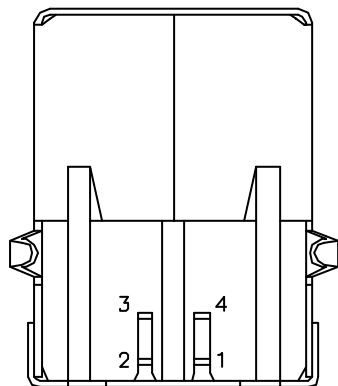
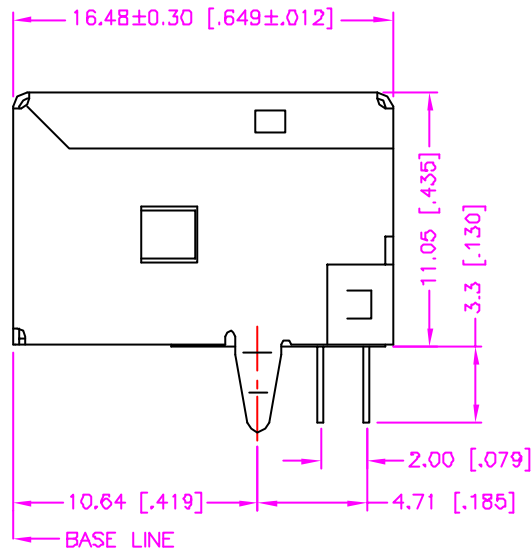
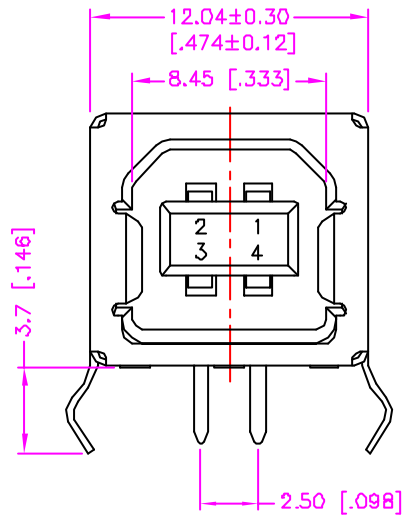


REV.	DESCRIPTION	DATE
—	RELEASE	Feb. 28, 2001
1	MATERIAL MODIFY	Jun. 1, 2001
2		



RECOMMEND P.C.B. LAYOUT
BOTTOM VIEW

MATERIALS

1. HOUSING : POLYAMIDE (UL 94V-0).
2. TERMINAL : PHOSPHOR BRONZE. (t=0.25mm)
3. SHELL : COPPER ALLOY. (t=0.30mm)

SPECIFICATION

1. CURRENT RATING : 1 AMP. MAX.
2. DIELECTRIC WITHSTANDING VOLTAGE : 500V AC R.M.S. FOR ONE MINUTE.
3. INSULATION RESISTANCE : 1000M OHMS MIN. AT 500V DC.
4. CONTACT RESISTANCE : 30m OHMS MAX.
5. OPERATING TEMPERATURE : -25°C TO +85°C.
6. DURABILITY : 1500 CYCLES.
7. MATING FORCE : 1.0 ~ 3.5kgs.
8. UNMATING FORCE : 1.0 ~ 3.5kgs.

ORDER INFORMATION :

22 - 11 02 N - 4 * - * T

SERIES CODE
TYPE 02
NICKEL PLATING ON SHELL
NUMBER OF POSITIONS

TIN PLATING ON SOLDER TAIL
CONTACT PLATING OPTIONS
1 : GOLD FLASH
2 : .000010" GOLD
3 : .000015" GOLD
5 : .000030" GOLD
HOUSING COLOR OPTIONS
W : WHITE
BLANK : BLACK

TOLERANCE .0=±0.30 [.012] .00=±0.20 [.008] .000=±.XXX .0000=±. ANG.=±3'	DRAWER <i>PUB</i> CHECK <i>Katherine</i> APP'D <i>ALEX</i>	 ASTRON TECHNOLOGY CORP. NAME USB CONNECTOR P.C.B. MOUNT B TYPE R/A, METAL SHIELD, FEMALE
 UNITS : mm [inch]	PRODUCT SPEC. —	
SCALE NONE	SIZE A4	DRAW NO. C622-0204
SHEET 1 OF 1	REV. B	09015