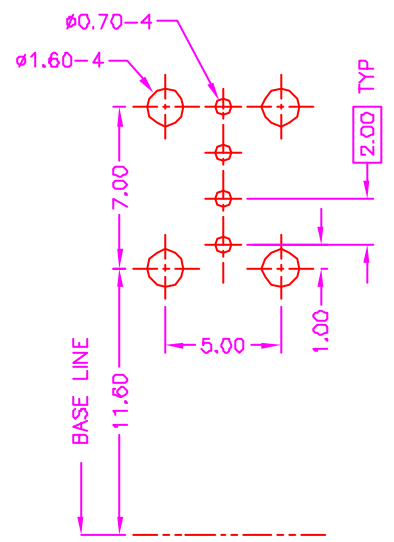
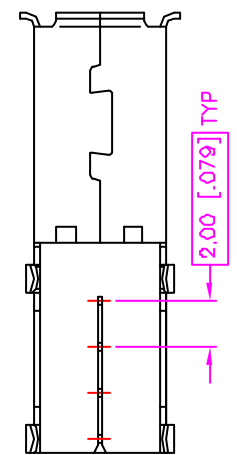
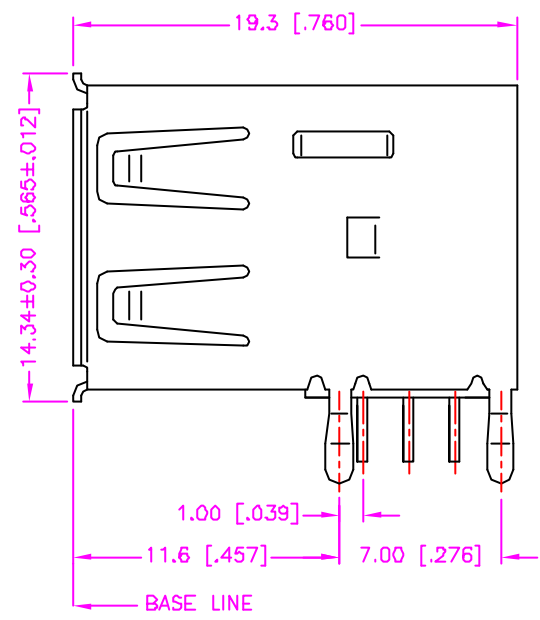
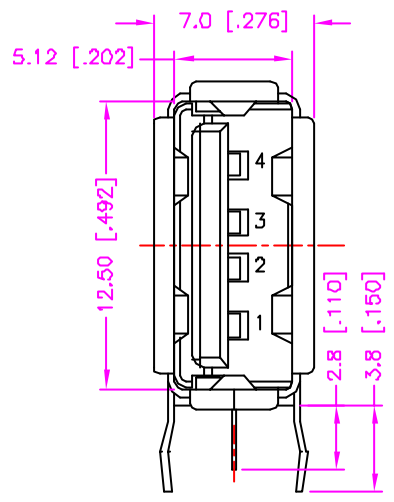


| REV. | DESCRIPTION | DATE |
|------|-------------|---------------|
| — | RELEASE | Apr. 24, 2002 |
| 1 | DRAW MODIFY | Aug. 28, 2003 |
| 2 | | |



RECOMMEND P.C.B. LAYOUT
TOP VIEW

MATERIALS

1. HOUSING : POLYESTER (UL 94V-0).
2. TERMINAL : PHOSPHOR BRONZE. (t=0.25mm)
3. SHELL : BRASS, NICKEL PLATING. (t=0.30mm)

SPECIFICATION

1. CURRENT RATING : 1 AMP. MAX.
2. DIELECTRIC WITHSTANDING VOLTAGE : 500V AC R.M.S. FOR ONE MINUTE.
3. INSULATION RESISTANCE : 1000M OHMS MIN. AT 500V DC.
4. CONTACT RESISTANCE : 30m OHMS MAX.
5. OPERATING TEMPERATURE : -25°C TO +85°C.
6. DURABILITY : 1500 CYCLES.
7. MATING FORCE : 1.0 ~ 3.5kgs.
8. UNMATING FORCE : 1.0 ~ 3.5kgs.

ORDER INFORMATION :

22 - 04 01 - 4 * - * T
 SERIES CODE | TYPE 01 | TIN PLATING ON SOLDER TAIL
 NUMBER OF POSITIONS | CONTACT PLATING OPTIONS
 HOUSING COLOR OPTIONS | 1 : GOLD FLASH
 W : WHITE | 2 : .000010" GOLD
 BLANK : BLACK | 3 : .000015" GOLD
 | 5 : .000030" GOLD

| | | |
|--|--|---|
| TOLERANCE .0=±0.30 [.012] .00=±0.20 [.008] .000=±.XXX .0000=±. ANG.=±3° | DRAWER <i>Katharin</i> CHECK <i>JUB</i> APP'D <i>LJON</i> PRODUCT SPEC. — | Astron ASTRON TECHNOLOGY CORP. NAME USB CONNECTOR P.C.B. MOUNT A TYPE UPRIGHT, METAL SHIELD, FEMALE |
| UNITS : mm [inch] | DRAW NO. C622-0114 | |
| SCALE NONE | SIZE A4 | DRAW NO. C622-0114 |
| SHEET 1 OF 1 | REV. B | 02003 |