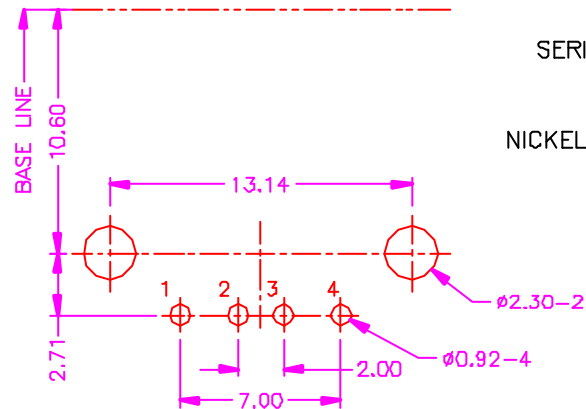
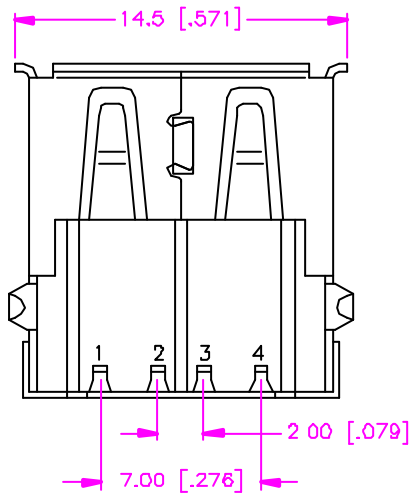
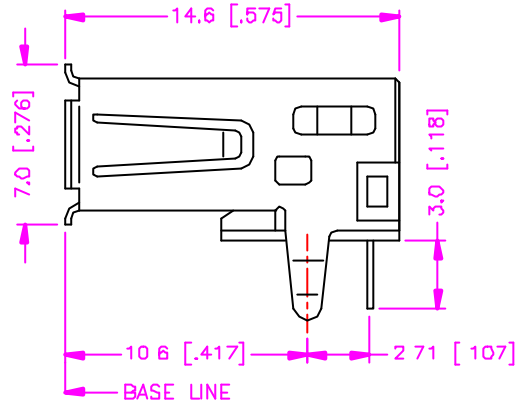
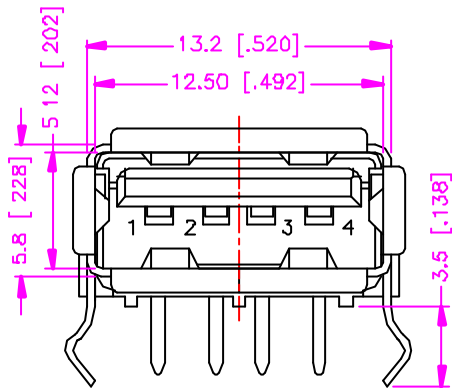


REV.	DESCRIPTION	DATE
—	RELEASE	Mar. 04, 2002
1		
2		



RECOMMEND P.C.B. LAYOUT  
BOTTOM VIEW

### MATERIALS

1. HOUSING : POLYAMIDE (UL 94V-0).
2. TERMINAL : COPPER ALLOY. (t=0.25mm)
3. SHELL : COPPER ALLOY. (t=0.30mm)

### SPECIFICATION

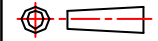
1. CURRENT RATING : 1 AMP. MAX.
2. DIELECTRIC WITHSTANDING VOLTAGE : 500V AC R.M.S. FOR ONE MINUTE.
3. INSULATION RESISTANCE : 1000M OHMS MIN. AT 500V DC.
4. CONTACT RESISTANCE : 30m OHMS MAX.
5. OPERATING TEMPERATURE : -25°C TO +85°C.
6. DURABILITY : 1500 CYCLES
7. MATING FORCE : 1.0 ~ 3.5kgs.
8. UNMATING FORCE : 1.0 ~ 3.5kgs.

### ORDER INFORMATION :

22 - 02 02 N - 4 \* - \* T

SERIES CODE | TYPE 02 | NICKEL PLATING ON SHIELD | NUMBER OF POSITIONS | HOUSING COLOR OPTIONS  
W : WHITE  
BLANK : BLACK

TIN PLATING ON SOLDER TAIL  
CONTACT PLATING OPTIONS  
1 : GOLD FLASH  
2 : .000010" GOLD  
3 : .000015" GOLD  
5 : .000030" GOLD

TOLERANCE .0=±0.30 [.012] .00=±0.20 [.008] .000=±XXX .0000=±. ANG.=±3°	DRAWER <i>JUB</i> CHECK <i>Katharina</i> APP'D <i>WSPBY</i>	 UNITS : mm [inch]	<b>Astron</b> ASTRON TECHNOLOGY CORP. NAME USB CONNECTOR P.C.B. MOUNT A TYPE R/A, METAL SHIELD, FEMALE DRAW NO. C622-0111	
SCALE NONE	SIZE A4			SHEET 1 OF 1