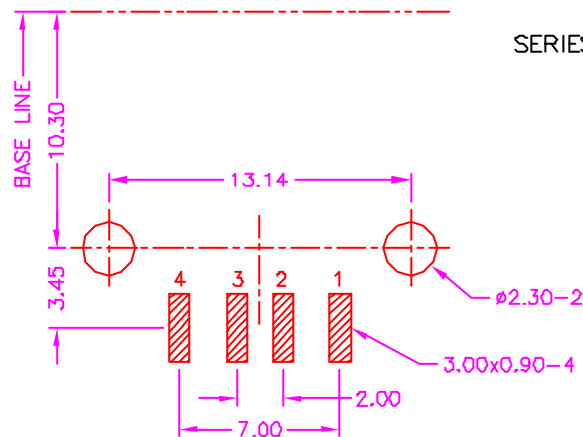
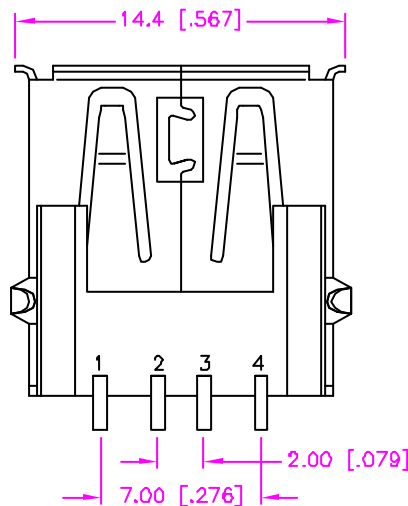
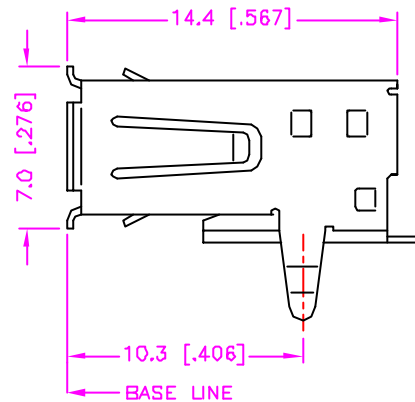
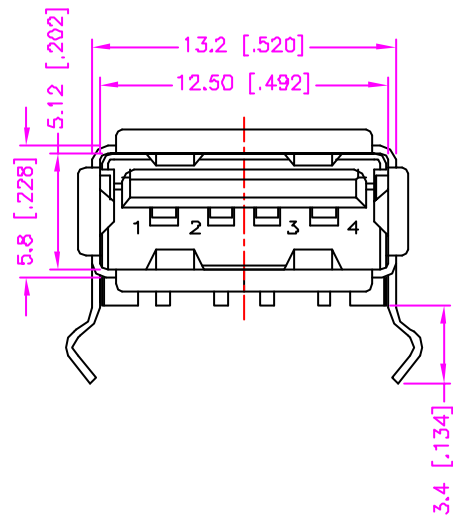


REV.	DESCRIPTION	DATE
—	RELEASE	Sep. 25, 2001
1		
2		



**RECOMMEND P.C.B. LAYOUT
TOP VIEW**

MATERIALS

1. HOUSING : HI.-TEMP. PLASTIC (UL 94V-0).
2. TERMINAL : PHOSPHOR BRONZE, GOLD PLATING ON CONTACT AREA, TIN PLATING ON SOLDER TAIL. (t=0.25mm)
3. SHELL : COPPER ALLOY, NICKEL PLATING. (t=0.30mm)

SPECIFICATION


1. CURRENT RATING : 1 AMP. MAX.
2. DIELECTRIC WITHSTANDING VOLTAGE : 500V AC R.M.S. FOR ONE MINUTE.
3. INSULATION RESISTANCE : 1000M OHMS MIN. AT 500V DC.
4. CONTACT RESISTANCE : 30m OHMS MAX.
5. OPERATING TEMPERATURE : -25°C TO +85°C.
6. DURABILITY : 1500 CYCLES.
7. MATING FORCE : 1.0 ~ 3.5kgs.
8. UNMATING FORCE : 1.0 ~ 3.5kgs.
9. MAX. PROCESSING TEMPERATURE : 230°C FOR 30 ~ 60 SECONDS.

ORDER INFORMATION :

22 - 03 02 - 4 W - * T

SERIES CODE | TYPE 02 | NUMBER OF POSITIONS | WHITE IN HOUSING COLOR | TIN PLATING ON SOLDER TAIL | CONTACT PLATING OPTIONS

CONTACT PLATING OPTIONS:
 1 : GOLD FLASH
 2 : .000010" GOLD
 3 : .000015" GOLD
 5 : .000030" GOLD

TOLERANCE .0=±.030 [.012] .00=±0.20 [.008] .000=±.XXX .0000=±. ANG.=±3°	DRAWER <i>MUS</i> CHECK <i>Katherlin</i> APP'D <i>AS&T</i>	Astron ASTRON TECHNOLOGY CORP. NAME USB CONNECTOR P.C.B. MOUNT A TYPE SMT, METAL SHIELD, FEMALE		
 UNITS : mm [inch]	PRODUCT SPEC. —		DRAW NO. C622-0107	
SCALE NONE	SIZE A4	SHEET 1 OF 1	REV. A	09015