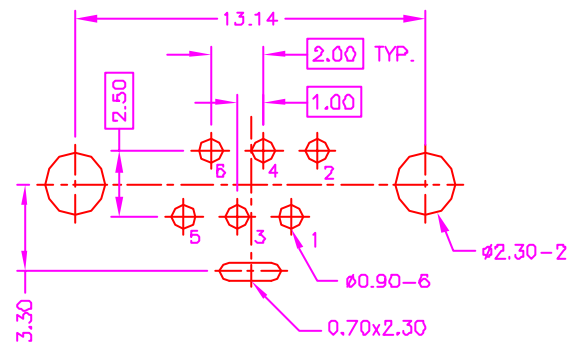
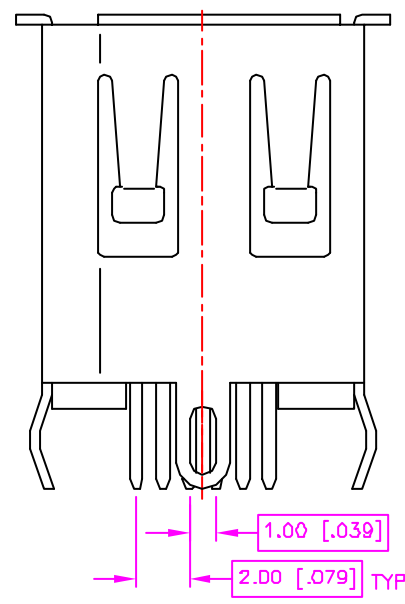
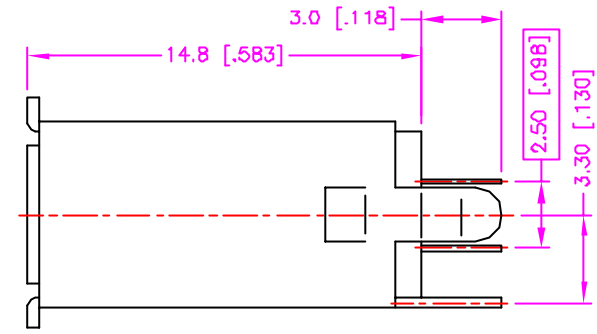
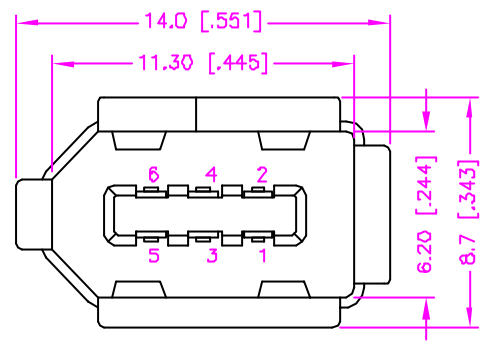


REV.	DESCRIPTION	DATE
A	RELEASE	Jan. 18, 2002
B	DRAW MODIFY	Aug. 21, 2002
C	DRAW MODIFY	Feb. 18, 2004



### MATERIALS

1. HOUSING : THERMOPLASTIC (UL 94V-0).
2. TERMINAL : COPPER ALLOY. (t=0.20mm)
3. SHELL : COPPER ALLOY, NICKEL PLATING. (t=0.40mm)

### SPECIFICATION

1. CURRENT RATING : 1 AMP. MAX.
2. DIELECTRIC WITHSTANDING VOLTAGE : 500V AC R.M.S. FOR ONE MINUTE.
3. INSULATION RESISTANCE : 100M OHMS MIN. AT 500V DC.
4. CONTACT RESISTANCE : 30m OHMS MAX.
5. OPERATING TEMPERATURE : -25°C TO +85°C.
6. DURABILITY : 1500 CYCLES.

### ORDER INFORMATION :

21 - 04 01 - 6 \* - \* T

SERIES CODE | TYPE 01 | NUMBER OF POSITIONS | HOUSING COLOR OPTIONS  
W : WHITE  
BLANK : BLACK

TIN PLATING ON SOLDER TAIL

CONTACT PLATING OPTIONS  
1 : GOLD FLASH  
2 : .000010" GOLD  
3 : .000015" GOLD  
5 : .000030" GOLD

TOLERANCE .0=±0.30 [.012] .00=±0.20 [.008] .000=±.XXX .0000=±. ANG.=±3'	DRAWER <i>SUB</i> CHECK <i>Katherlin</i> APP'D <i>LION</i>	<b>Astron</b> <b>WWW.ASTRON.COM.TW</b> NAME IEEE 1394 CONNECTOR P.C.B. MOUNT, VERTICAL TYPE METAL SHIELD, FEMALE
UNITS : mm [inch]	PRODUCT SPEC. —	
SCALE NONE	SIZE A4	DRAW NO. C621-0401
SHEET 1 OF 1	REV. C	09015