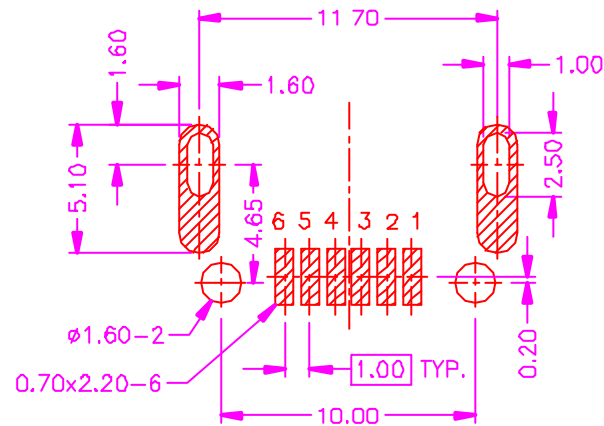
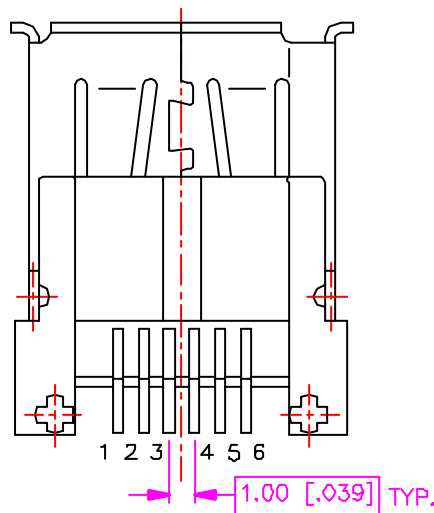
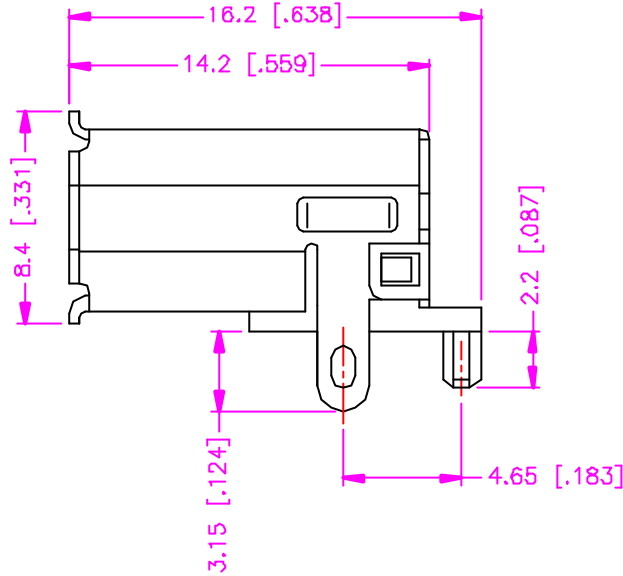
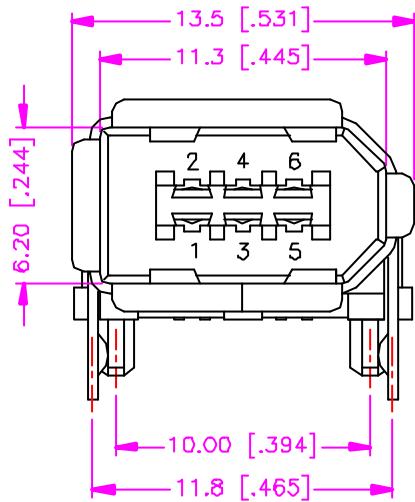


REV.	DESCRIPTION	DATE
—	RELEASE	Apr. 22, 2002
1		
2		



RECOMMEND P.C.B. LAYOUT  
TOP VIEW

### MATERIALS

1. HOUSING : HI.-TEMP. PLASTIC (UL 94V-0).
2. TERMINAL : COPPER ALLOY.(t=0.25mm)
3. SHELL : COPPER ALLOY, NICKEL PLATING.(t=0.4mm)

### SPECIFICATION

1. CURRENT RATING : 1.5 AMP. MAX.
2. DIELECTRIC WITHSTANDING VOLTAGE : 500V AC R.M.S. FOR ONE MINUTE.
3. INSULATION RESISTANCE : 1000M OHMS MIN. AT 500V DC.
4. CONTACT RESISTANCE : 30m OHMS MAX
5. OPERATING TEMPERATURE : -25°C TO +85°C
6. DURABILITY : 1500 CYCLES.
7. MAX PROCESSING TEMP : 230°C FOR 30 ~ 60 SECONDS.

### ORDER INFORMATION :

21 - 02 03 - 6 \* - \* T

SERIES CODE | TYPE 03 | TIN PLATING ON SOLDER TAIL

NUMBER OF POSITIONS | CONTACT PLATING OPTIONS

HOUSING COLOR OPTIONS |

W : WHITE  
BLANK : BLACK

CONTACT PLATING OPTIONS:  
1 : GOLD FLASH  
2 : .000010" GOLD  
3 : .000015" GOLD  
5 : .000030" GOLD

TOLERANCE .0=±0.30 [.012] .00=±0.20 [.008] .000=±XXX .0000=±. ANG.=±3°	DRAWER <i>SUB</i> CHECK <i>Katherlin</i> APP'D <i>ABET</i>	 <b>Astron</b> ASTRON TECHNOLOGY CORP. NAME IEEE 1394 CONNECTOR P.C.B. MOUNT, SMT METAL SHIELD, FEMALE
 UNITS : mm [inch]	PRODUCT SPEC. —	
SCALE NONE	SIZE A4	DRAW NO. C621-0203
SHEET 1 OF 1	REV. A	09015