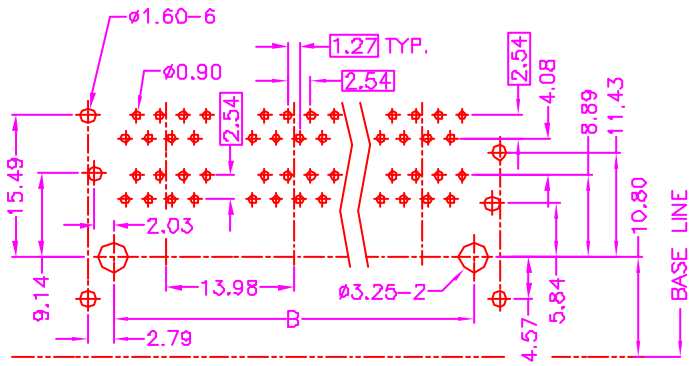
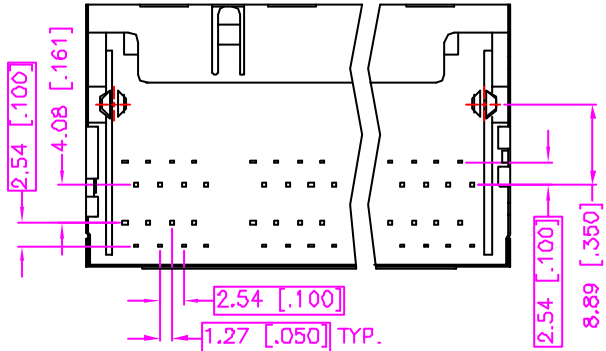
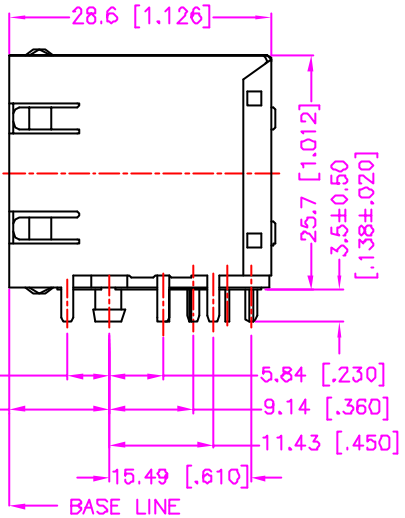
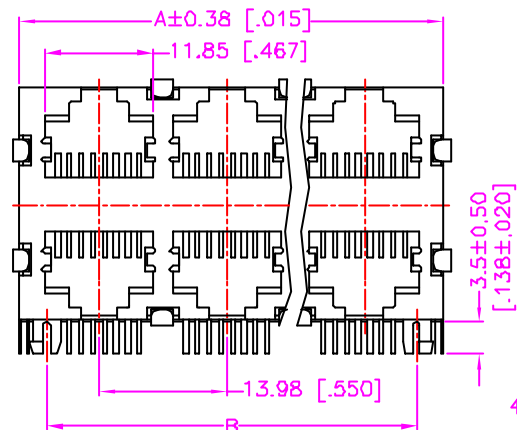


REV.	DESCRIPTION	DATE
—	RELEASE	Jul. 10, 2002
1	DRAW MODIFY	Sep. 04, 2003
2		



RECOMMEND P.C.B. LAYOUT
TOP VIEW

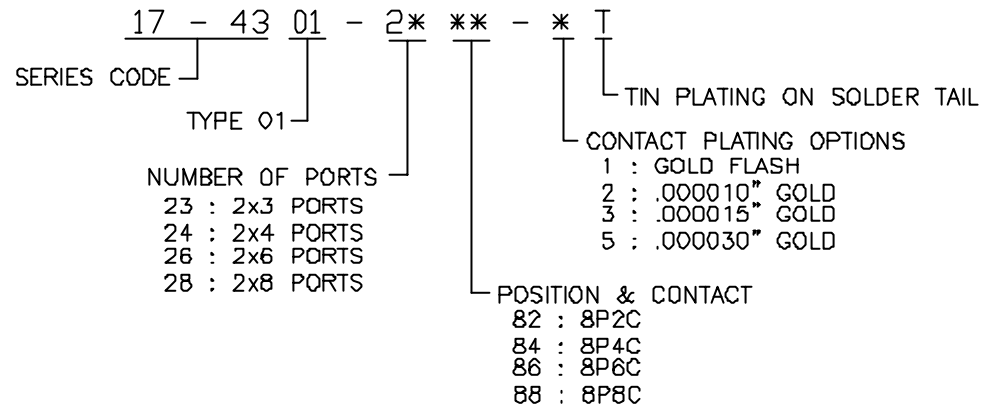
MATERIALS

1. HOUSING : POLYESTER (UL 94V-0), BLACK.
2. TERMINAL : PHOSPHOR BRONZE. (t=0.35mm)
3. SHIELD : COPPER ALLOY, NICKEL PLATING. (t=0.25mm)

SPECIFICATION

1. CURRENT RATING : 1.5 AMP. MAX.
2. DIELECTRIC WITHSTANDING VOLTAGE : 1000V AC R.M.S. FOR ONE MINUTE.
3. INSULATION RESISTANCE : 500M OHMS MIN. AT 500V DC.
4. CONTACT RESISTANCE : 30m OHMS MAX.
5. OPERATING TEMPERATURE : -40°C TO +70°C.
6. DURABILITY : 750 CYCLES.

ORDER INFORMATION :



Number Of Ports	DIMENSIONS	
	A	B
2X3	45.25[1.781]	39.37[1.550]
2X4	59.25[2.333]	53.34[2.100]
2X6	87.25[3.435]	81.28[3.200]
2X8	115.00[4.528]	109.22[4.300]

TOLERANCE .0=±0.38 [.015] .00=±0.25 [.010] .000=±.XXX .0000=±. ANG.=±3°	DRAWER <i>SUB</i>	 ASTRON TECHNOLOGY CORP.
 UNITS : mm [Inch] SCALE NONE SIZE A4 SHEET 1 OF 1 REV. B	CHECK <i>Kathleen</i>	
	APP'D <i>LFO</i>	DRAW NO. C564-4301
	PRODUCT SPEC. 507-0017	D8015