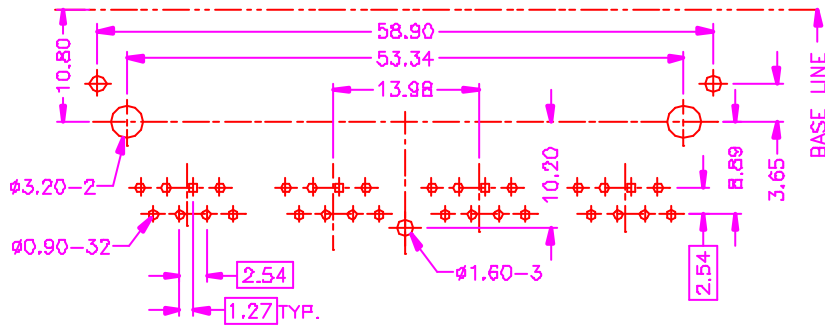
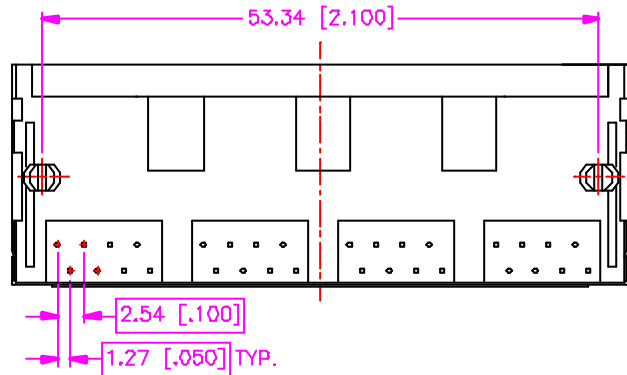
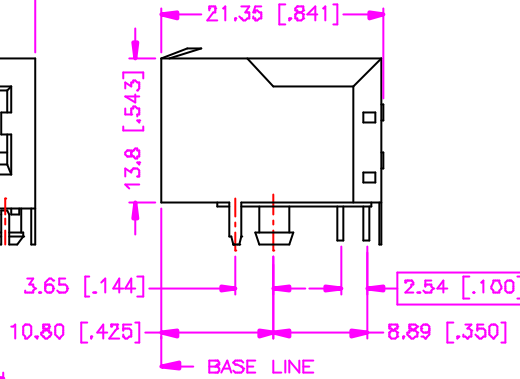
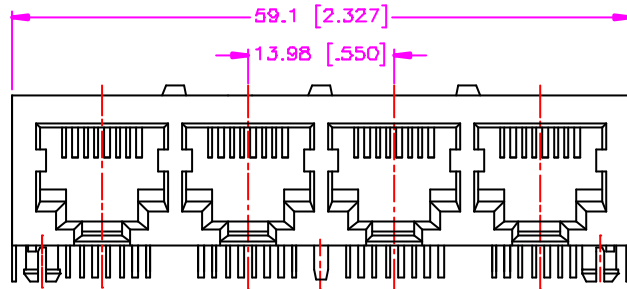


REV.	DESCRIPTION	DATE
—	RELEASE	May 22, 2002
1		
2		



RECOMMEND P.C.B. LAYOUT
BOTTOM VIEW

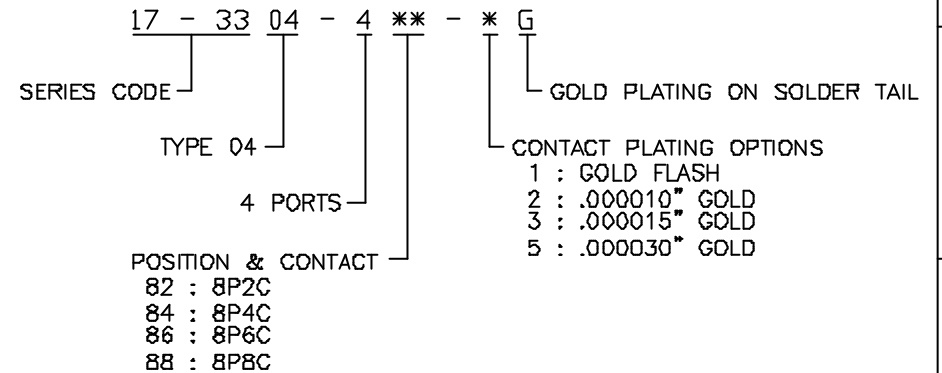
MATERIALS

1. HOUSING : POLYESTER (UL 94V-0), BLACK.
2. TERMINAL : $\phi 0.45\text{mm}$ PHOSPHOR BRONZE.
3. SHIELD : COPPER ALLOY, NICKEL PLATING. ($t=0.25\text{mm}$)

SPECIFICATION

1. CURRENT RATING : 1.5 AMP. MAX.
2. DIELECTRIC WITHSTANDING VOLTAGE : 1000V AC R.M.S. FOR ONE MINUTE.
3. INSULATION RESISTANCE : 500M OHMS MIN. AT 500V DC.
4. CONTACT RESISTANCE : 30m OHMS MAX.
5. OPERATING TEMPERATURE : -40°C TO $+70^{\circ}\text{C}$.
6. DURABILITY : 750 CYCLES.

ORDER INFORMATION :



- POSITION & CONTACT
- 82 : 8P2C
 - 84 : 8P4C
 - 86 : 8P6C
 - 88 : 8P8C

TOLERANCE .0=±.3B [.015] .00=±.25 [.010] .000=±.XXX .0000=±. ANG.=±3°	DRAWER <i>PUB</i>	 Astron ASTRON TECHNOLOGY CORP.
	CHECK <i>Katharina</i>	
 UNITS : mm [inch]	APP'D <i>WJG</i>	DRAW NO. C564-3303
	PRODUCT SPEC. —	SCALE NONE SIZE A4 SHEET 1 OF 1 REV. A OB015