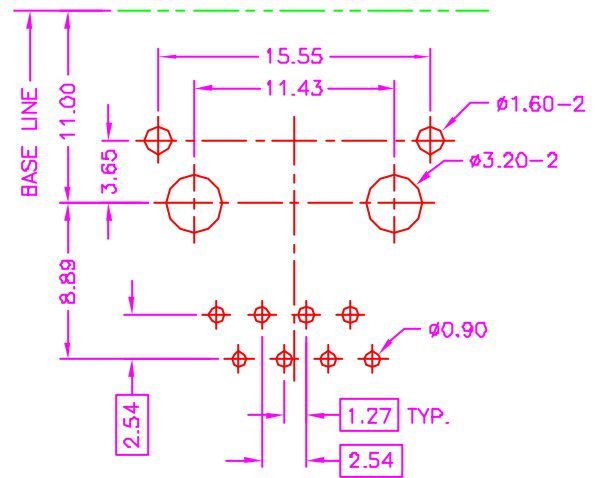
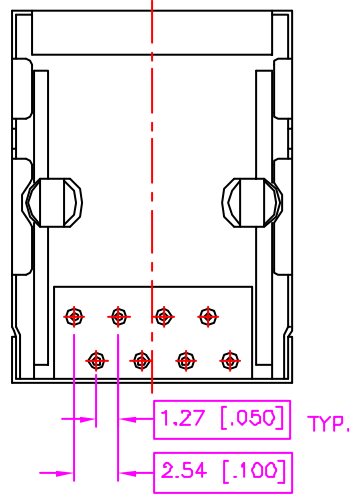
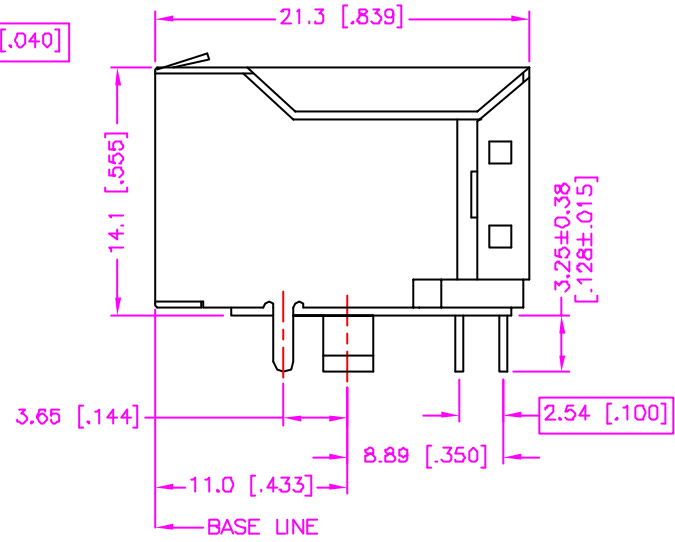
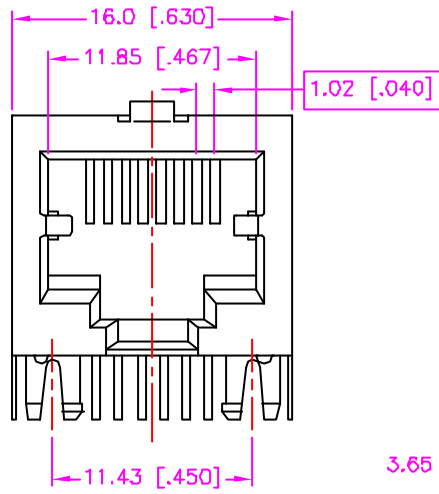


REV.	DESCRIPTION	DATE
—	RELEASE	May 23, 2002
1		
2		



MATERIALS

1. HOUSING : POLYESTER (UL 94V-0), BLACK.
2. TERMINAL : Ø0.45mm PHOSPHOR BRONZE.
3. SHIELD : COPPER ALLOY, NICKEL PLATING. (t=0.25mm)

SPECIFICATION

1. CURRENT RATING : 1.5 AMP. MAX.
2. DIELECTRIC WITHSTANDING VOLTAGE : 1000V AC R.M.S. FOR ONE MINUTE.
3. INSULATION RESISTANCE : 500M OHMS MIN. AT 500V DC.
4. CONTACT RESISTANCE : 30m OHMS MAX.
5. OPERATING TEMPERATURE : -40°C TO +70°C.
6. DURABILITY : 750 CYCLES.

ORDER INFORMATION :

17 - 04 07 2 - ** - * G

SERIES CODE | TYPE 07 | WITH +3.65mm SHIELD TAB | GOLD PLATING ON SOLDER TAIL | CONTACT PLATING OPTIONS

POSITION & CONTACT

82 : 8P2C
84 : 8P4C
86 : 8P6C
88 : 8P8C

CONTACT PLATING OPTIONS
1 : GOLD FLASH
2 : .000010" GOLD
3 : .000015" GOLD
5 : .000030" GOLD

**RECOMMEND P.C.B. LAYOUT
BOTTOM VIEW**

TOLERANCE .0±.38 [.015] .00±.25 [.012] .000±.XXX .0000±. ANG.=±3°	DRAWER <i>Katharin</i> CHECK <i>JUB</i> APP'D <i>WSP&LV</i>	 ASTRON TECHNOLOGY CORP. NAME MODULAR JACK SIDE ENTRY, METAL SHIELD
 UNITS : mm [inch]	PRODUCT SPEC. —	
SCALE NDNE	SIZE A4	DRAW NO. C564-0406
SHEET 1 OF 1	REV. A	DB015