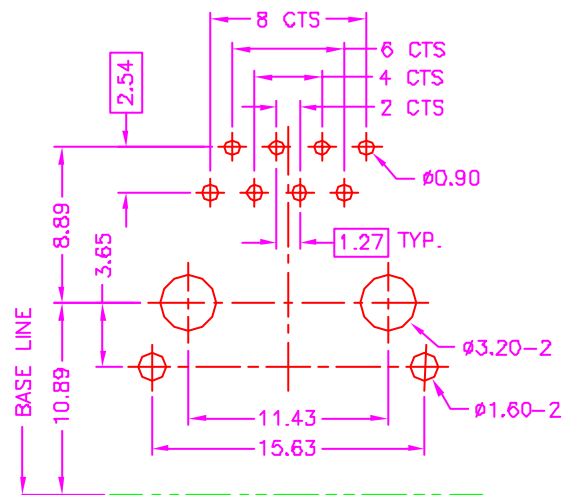
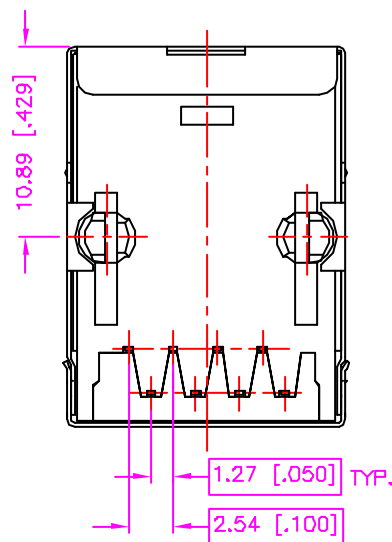
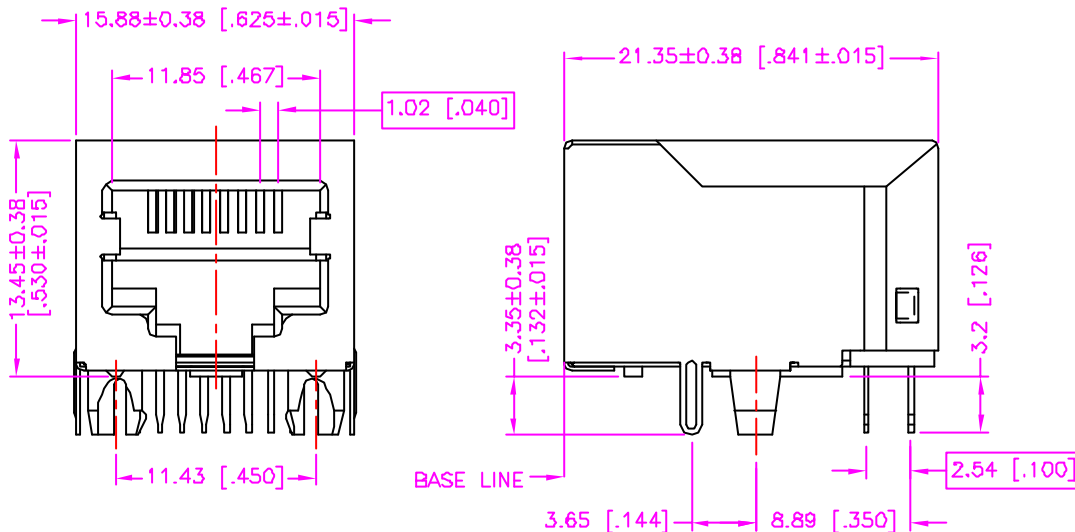


REV.	DESCRIPTION	DATE
—	RELEASE	Mar. 11, 2003
1		
2		



RECOMMEND P.C.B. LAYOUT
TOP VIEW

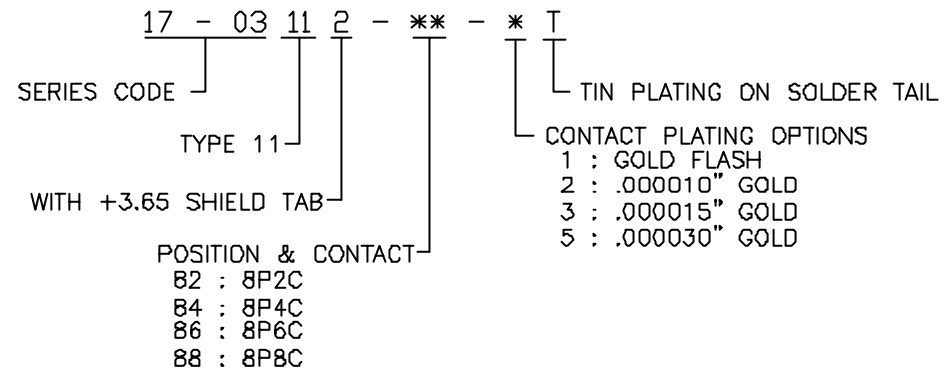
MATERIALS

1. HOUSING : POLYESTER (UL 94V-0), BLACK.
2. TERMINAL : COPPER ALLOY.
3. SHIELD : COPPER ALLOY, NICKEL PLATING.

SPECIFICATION

1. CURRENT RATING : 1.5 AMP. MAX.
2. DIELECTRIC WITHSTANDING VOLTAGE : 1000V AC R.M.S. FOR ONE MINUTE.
3. INSULATION RESISTANCE : 500M OHMS MIN. AT 500V DC.
4. CONTACT RESISTANCE : 30m OHMS MAX.
5. OPERATING TEMPERATURE : -40°C TO +85°C.
6. DURABILITY : 750 CYCLES.

ORDER INFORMATION :



TOLERANCE .0 ± .38 [.015] .00 ± .25 [.012] .000 ± .XXX .0000 ± . ANG. = ± 3°	DRAWER <i>Katherlin</i>	Astron ASTRON TECHNOLOGY CORP.
	CHECK <i>LYON</i>	
UNITS : mm [inch]	APP'D <i>SUS</i>	DRAW NO. C564-0316
SCALE NONE	SIZE A4	REV. A T0001
SHEET 1 OF 1	PRODUCT SPEC. —	DRAW NO. C564-0316