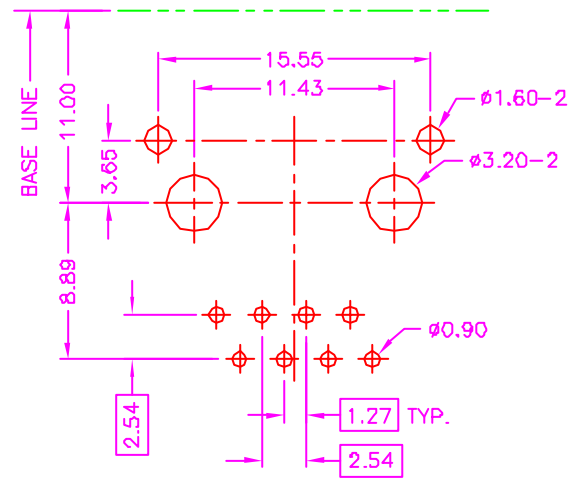
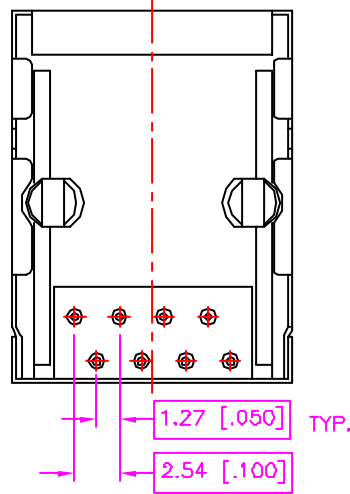
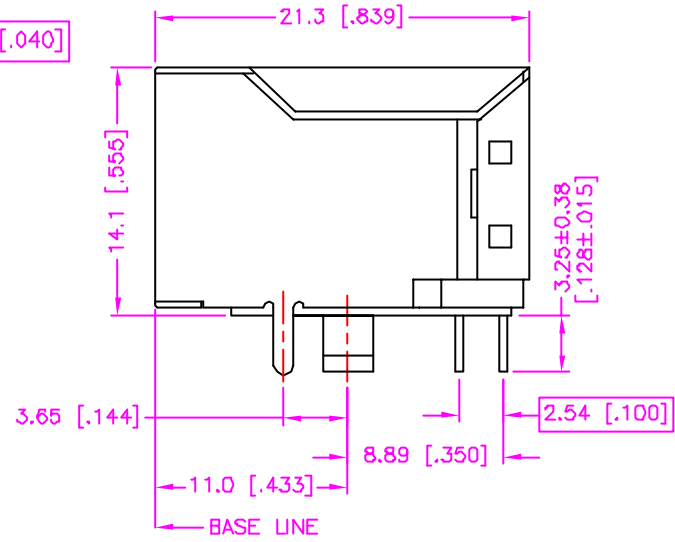
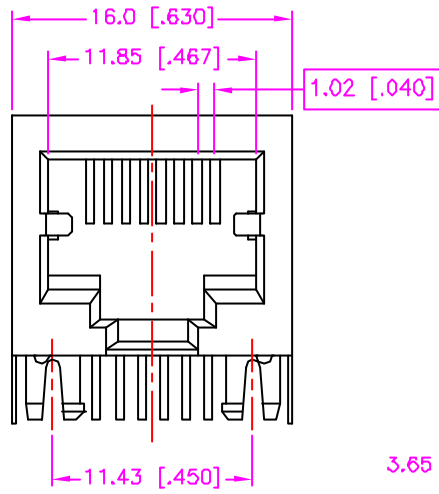


REV.	DESCRIPTION	DATE
—	RELEASE	May 22, 2002
1		
2		



**RECOMMEND P.C.B. LAYOUT  
BOTTOM VIEW**

**MATERIALS**

1. HOUSING : POLYESTER (UL 94V-0), BLACK.
2. TERMINAL :  $\phi 0.45$ mm PHOSPHOR BRONZE.
3. SHIELD : COPPER ALLOY, NICKEL PLATING. (t=0.25mm)

**SPECIFICATION**

1. CURRENT RATING : 1.5 AMP. MAX.
2. DIELECTRIC WITHSTANDING VOLTAGE : 1000V AC R.M.S. FOR ONE MINUTE.
3. INSULATION RESISTANCE : 500M OHMS MIN. AT 500V DC.
4. CONTACT RESISTANCE : 30m OHMS MAX.
5. OPERATING TEMPERATURE : -40°C TO +70°C.
6. DURABILITY : 750 CYCLES.

**ORDER INFORMATION :**

17 - 03 08 2 - \*\* - \* G

SERIES CODE | TYPE 08 | GOLD PLATING ON SOLDER TAIL

WITH +3.65mm SHIELD TAB | CONTACT PLATING OPTIONS

POSITION & CONTACT

82 : 8P2C  
84 : 8P4C  
86 : 8P6C  
88 : 8P8C

1 : GOLD FLASH  
2 : .000010" GOLD  
3 : .000015" GOLD  
5 : .000030" GOLD

TOLERANCE .0±.38 [.015] .00±.25 [.012] .000±.XXX .0000±. ANG.=±3°		DRAWER <i>Katharin</i> CHECK <i>JUS</i> APP'D <i>W3982V</i>	 <b>ASTRON TECHNOLOGY CORP.</b> NAME <b>MODULAR JACK SIDE ENTRY, METAL SHIELD</b>
UNITS : mm [inch]		PRODUCT SPEC. —	
SCALE NONE	SIZE A4	SHEET 1 OF 1	REV. A
		DRAW NO. C564-0313	
		08015	