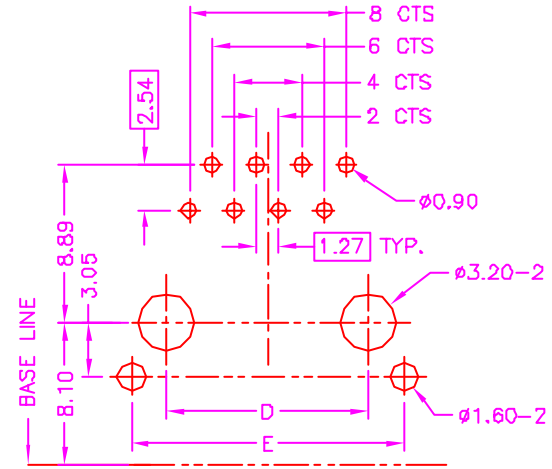
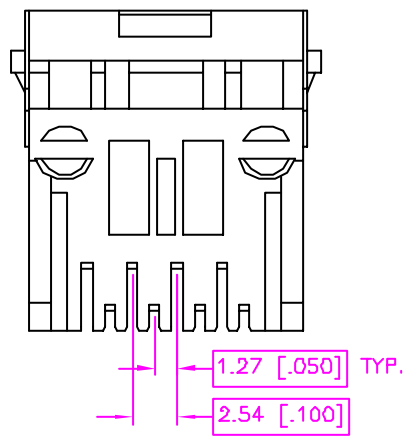
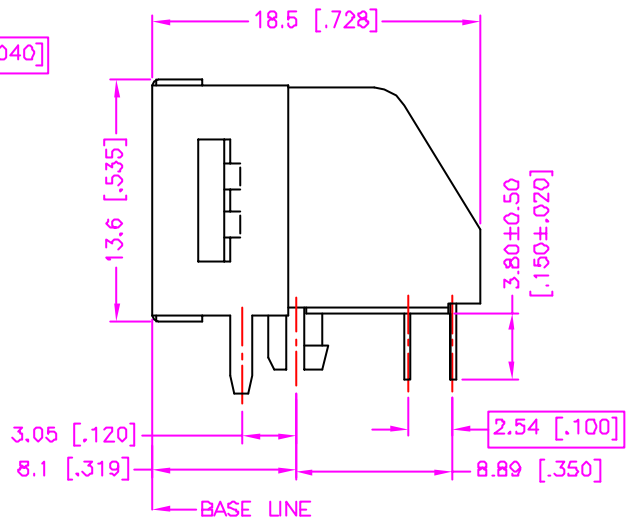
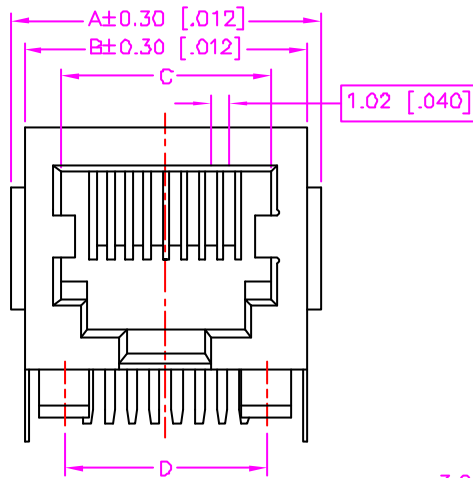


REV.	DESCRIPTION	DATE
—	RELEASE	Jul. 24, 2002
1	DRAW MODIFY	Nov. 19, 2003
2		



RECOMMEND P.C.B. LAYOUT
TOP VIEW

NUMBER OF POSITIONS	NUMBER OF CONTACT	DIMENSIONS				
		A	B	C	D	E
6	2/4/6	15.80 [.622]	14.00 [.551]	9.90 [.390]	10.16 [.400]	13.72 [.540]
8	2/4/6/8	17.50 [.689]	16.00 [.630]	11.85 [.467]	11.43 [.450]	15.43 [.607]

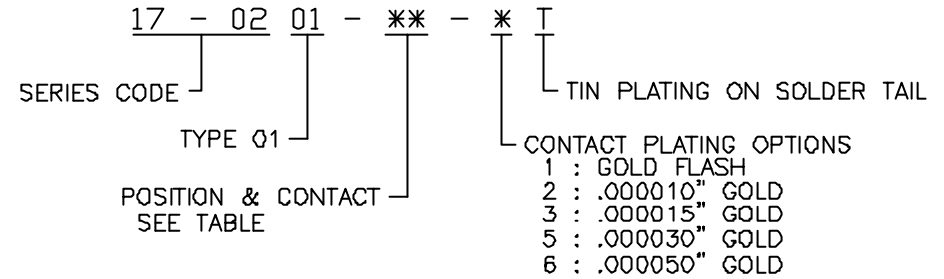
MATERIALS

- HOUSING : POLYESTER (UL 94V-0), BLACK.
- TERMINAL : PHOSPHOR BRONZE. (t=0.35mm)
- SHIELD : COPPER ALLOY, TIN PLATING. (t=0.25mm)

SPECIFICATION

- CURRENT RATING : 1.5 AMP. MAX.
- DIELECTRIC WITHSTANDING VOLTAGE : 1000V AC R.M.S. FOR ONE MINUTE.
- INSULATION RESISTANCE : 500M OHMS MIN. AT 500V DC.
- CONTACT RESISTANCE : 30m OHMS MAX.
- OPERATING TEMPERATURE : -40°C TO +70°C.
- DURABILITY : 750 CYCLES.

ORDER INFORMATION :



TOLERANCE .0±.30 [.012] .00±.20 [.008] .000±.XXX .0000±. ANG.=±3°	DRAWER <i>sub</i> CHECK <i>230N</i> APP'D <i>Kalshanian</i>	 ASTRON TECHNOLOGY CORP. NAME MODULAR JACK SIDE ENTRY, FRONT METAL SHIELD WITH PANEL STOP
 UNITS : mm [inch] SCALE NONE SIZE A4	PRODUCT SPEC. 509-0054 SHEET 1 OF 1 REV. B	
DRAW NO. C564-0201		D8015