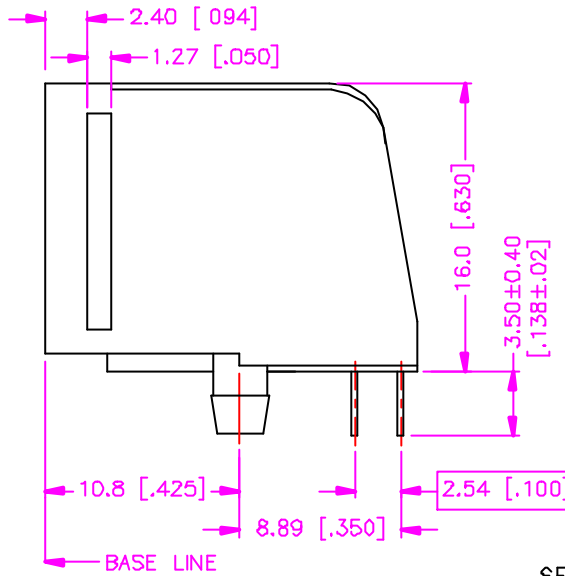
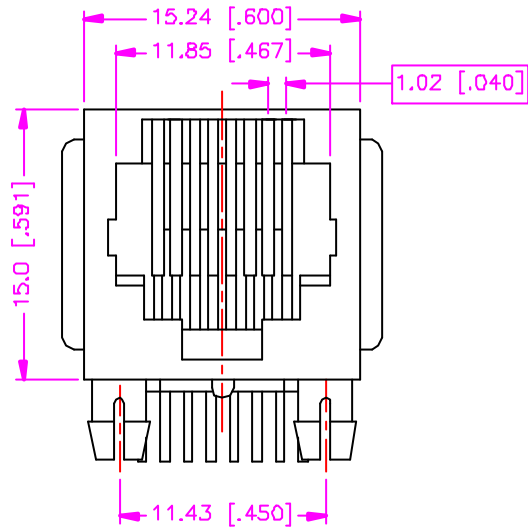


REV.	DESCRIPTION	DATE
—	RELEASE	Nov. 13, 2000
1	DRAW MODIFY	Mar 01, 2002
2		



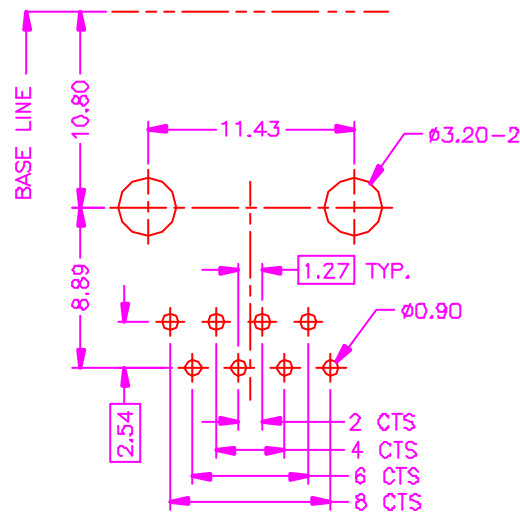
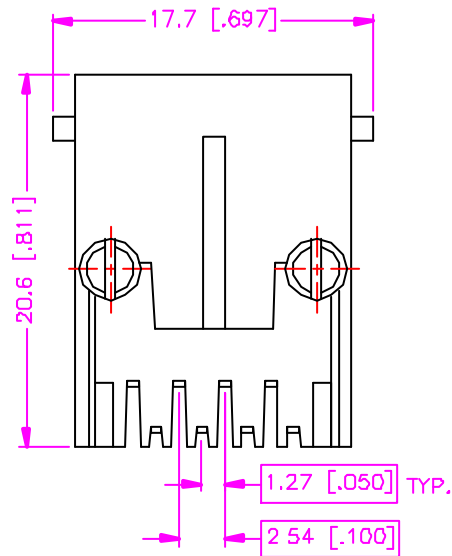
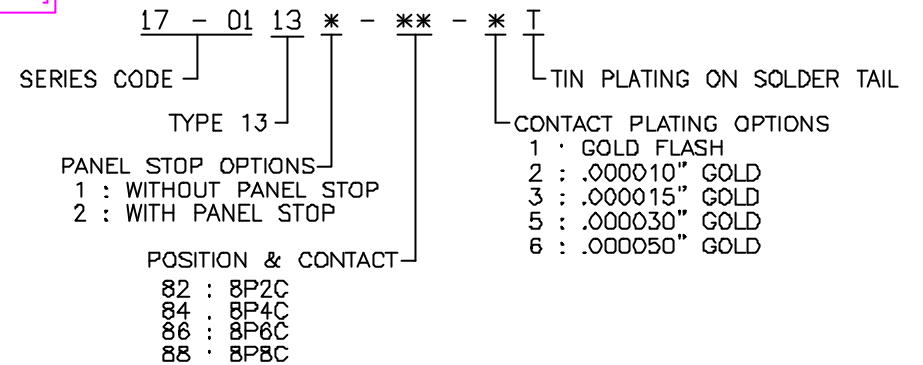
MATERIALS

1. HOUSING : POLYESTER (UL 94V-0), BLACK.
2. TERMINAL : PHOSPHOR BRONZE. (t=0.35mm)

SPECIFICATION

1. CURRENT RATING : 1.5 AMP. MAX.
2. DIELECTRIC WITHSTANDING VOLTAGE : 1000V AC R.M.S. FOR ONE MINUTE.
3. INSULATION RESISTANCE : 500M OHMS MIN. AT 500V DC.
4. CONTACT RESISTANCE : 30m OHMS MAX.
5. OPERATING TEMPERATURE : -40°C TO +70°C.
6. DURABILITY : 750 CYCLES.

ORDER INFORMATION :



RECOMMEND P.C.B. LAYOUT
 BOTTOM VIEW

TOLERANCE .0±.0.30 [.012] .00±.0.20 [.008] .000±.XXX ANG.±3°	DRAWER <i>NUS</i>	 ASTRON TECHNOLOGY CORP.	
	CHECK <i>Katherlin</i>		NAME MODULAR JACK SIDE ENTRY, ALL PLASTIC
 UNITS : mm [Inch]	APP'D <i>WJPELY</i>	PRODUCT SPEC. —	
	SCALE NONE	SIZE A4	SHEET 1 OF 1
		REV. B	DRAW NO. C564-0117
			08015