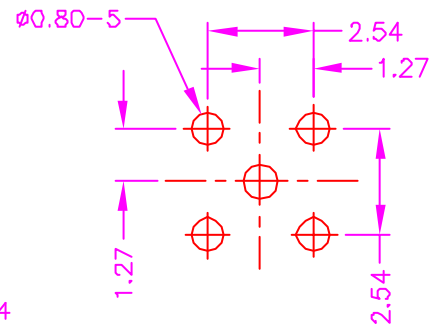
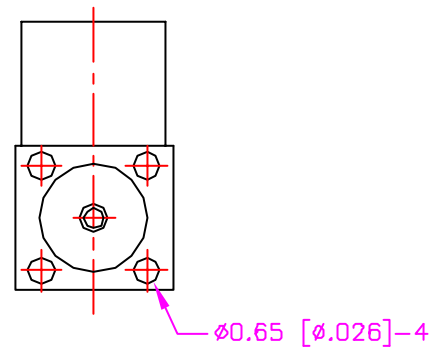
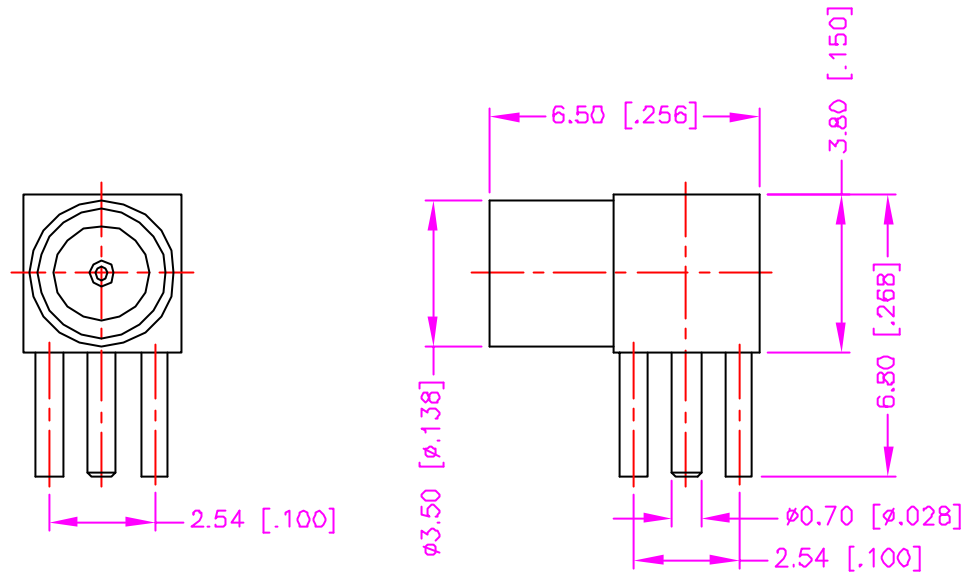


REV.	DESCRIPTION	DATE
—	RELEASE	Dec. 11, 2002
1		
2		



RECOMMEND P.C.B. LAYOUT
TOP VIEW

MATERIALS


1. BODY : BRASS, GOLD PLATING.
2. INSULATOR : TEFLON.
3. TERMINAL : BERYLLIUM COPPER, GOLD PLATING.

SPECIFICATION

1. NOMINAL IMPEDANCE : 50 OHMS.
2. DIELECTRIC WITHSTANDING VOLTAGE : 500V AC R.M.S. FOR ONE MINUTE.
3. INSULATION RESISTANCE : 1000M OHMS MIN. AT 500V DC.
4. CONTACT RESISTANCE : 30m OHMS MAX.
5. OPERATING TEMPERATURE : -65°C TO $+165^{\circ}\text{C}$.
6. DURABILITY : 500 CYCLES.
7. FREQUENCY RANGE : 0 ~ 6 GHz.
8. VSWR : 1.25 MAX.
9. WORKING VOLTAGE : 125V R.M.S. MAX.

ORDER INFORMATION

51-3601-00

TOLERANCE .0 \pm .30 [.012] .00 \pm .20 [.008] .000 \pm .XXX .0000 \pm . ANG. \pm 3°		DRAWER <i>Katherlin</i>	 ASTRON TECHNOLOGY CORP.
UNITS : mm [inch]		CHECK <i>MUS</i>	
SCALE NONE	SIZE A4	SHEET 1 OF 1	REV. A
DRAW NO. C551-3601		DRAW NO. C551-3601	
T0006		T0006	