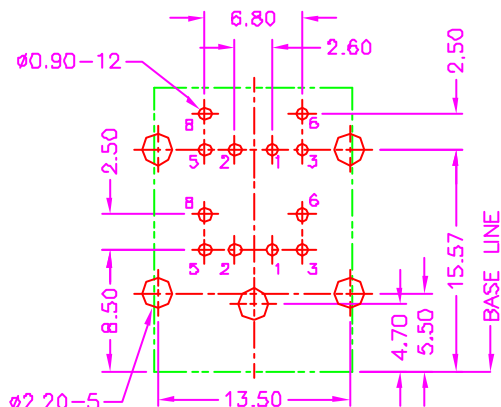
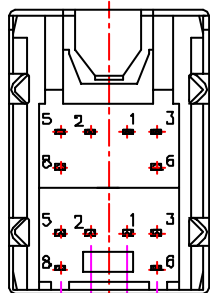
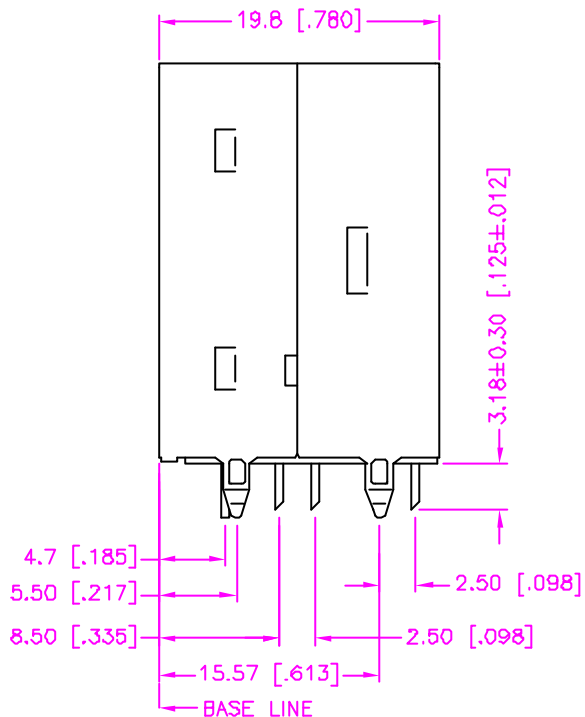
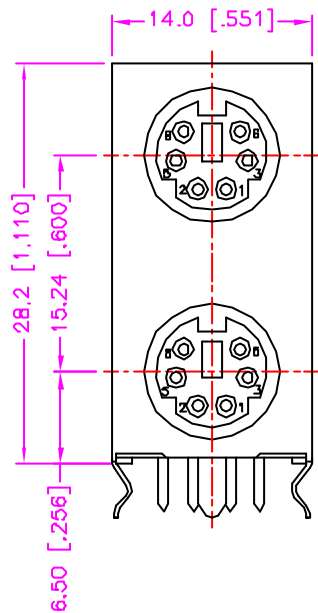


REV.	DESCRIPTION	DATE
—	RELEASE	Dec. 31, 2002
1		
2		



RECOMMEND P.C.B. LAYOUT  
TOP VIEW

### MATERIALS

1. HOUSING : POLYESTER (UL 94V-0).
2. TERMINAL : BRASS.
3. SHIELD : BRASS, TIN PLATING. (t=0.30mm)

### SPECIFICATION

1. CURRENT RATING : 1 AMP. MAX.
2. DIELECTRIC WITHSTANDING VOLTAGE : 500V AC R.M.S. FOR ONE MINUTE.
3. INSULATION RESISTANCE : 100M OHMS MIN. AT 500V DC.
4. CONTACT RESISTANCE : 30m OHMS MAX.
5. OPERATING TEMPERATURE : -25°C TO +85°C.
6. DURABILITY : 1000 CYCLES.
7. MATING FORCE : 0.5 ~ 4.5kgs.
8. UNMATING FORCE : 0.5 ~ 4.5kgs.

### ORDER INFORMATION

13 - 2203 - 66 S3 - \* T

SERIES CODE



NUMBER OF POSITION  
(TOP/BOTTOM)

TIN PLATING ON SOLDER TAIL

CONTACT PLATING OPTIONS

- 1 : GOLD FLASH
- 2 : .000010" GOLD
- 3 : .000015" GOLD
- 5 : .000030" GOLD

PANTONE GREEN 3395C + PURPLE 2715C

TOLERANCE .0±.30 [.012] .00±.20 [.008] .000±.XXX .0000±. ANG.±3°	DRAWER <i>Katherlin</i> CHECK <i>PLB</i> APP'D <i>ALC</i>	 <b>ASTRON TECHNOLOGY CORP.</b> NAME STACKED MINI. CIRCULAR DIN P.C.B. MOUNT RIGHT ANGLE FULL METAL SHIELD, FEMALE		
 UNITS : mm [inch]	PRODUCT SPEC. —		DRAW NO. C539-0102	
SCALE NONE	SIZE A4	SHEET 1 OF 1	REV. A	10004