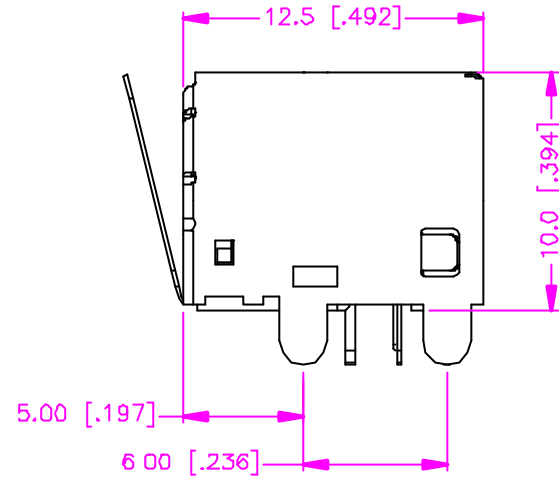
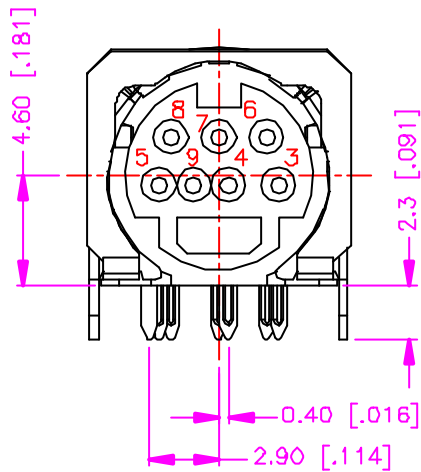


REV.	DESCRIPTION	DATE
—	RELEASE	Dec. 11, 2001
1	DRAW MODIFY	Mar 13, 2002
2		



MATERIALS

- HOUSING : THERMOPLASTIC (UL 94V-0), BLACK
- TERMINAL : PHOSPHOR BRONZE.
- SHIELD : BRASS, TIN PLATING (t=0.40mm)
- SPRING : STAINLESS STEEL. (t=0.15mm)

SPECIFICATION

- CURRENT RATING : 2 AMP MAX
- DIELECTRIC WITHSTANDING VOLTAGE : 500V AC R.M.S. FOR ONE MINUTE.
- INSULATION RESISTANCE : 100M OHMS MIN. AT 500V DC
- CONTACT RESISTANCE : 30m OHMS MAX.
- OPERATING TEMPERATURE : -25°C TO +85°C.
- DURABILITY : 5000 CYCLES.
- MATING FORCE : 0.5 ~ 4.5kgs.
- UNMATING FORCE : 0.5 ~ 4.5kgs.
- MAX. PROCESSING TEMP. : 230°C FOR 30 ~ 60 SECONDS. (HI.-TEMP. PLASTIC)

ORDER INFORMATION

13 - 0604 * - 7 - * T

SERIES CODE

TIN PLATING ON SOLDER TAIL

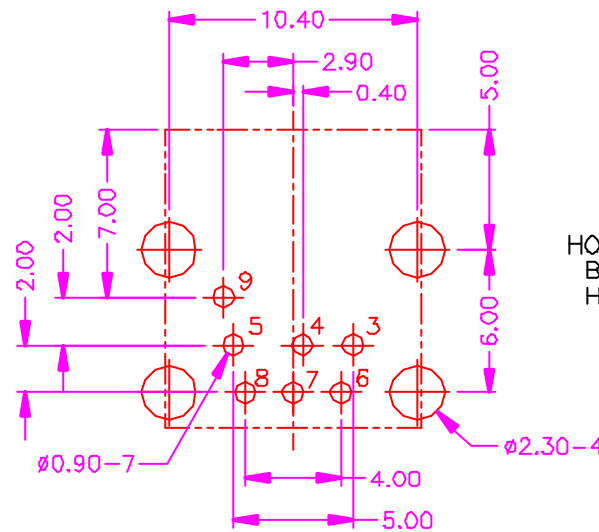
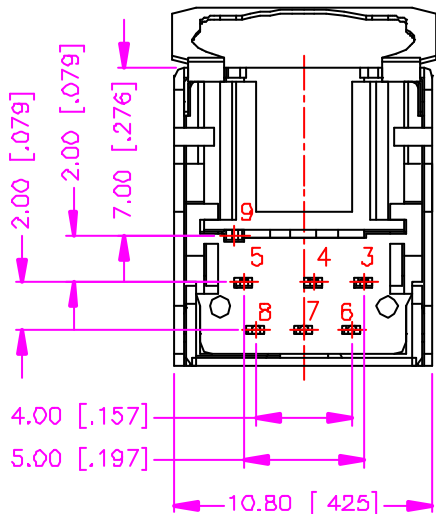
HOUSING OPTIONS


BLANK : P.B.T
 H : HI.-TEMP. PLASTIC

CONTACT PLATING OPTIONS

- GOLD FLASH
- .000010" GOLD
- .000015" GOLD
- .000030" GOLD

NUMBER OF POSITION



TOLERANCE .0=±.30 [.012] .00=±.20 [.008] .000=±.XXX .0000=±. ANG.=±3°	DRAWER <i>SUS</i> CHECK <i>Kathertin</i> APP'D <i>ALBT</i>	Astron ASTRON TECHNOLOGY CORP. NAME MINI. CIRCULAR DIN P.C.B. MOUNT RIGHT ANGLE, FULL METAL SHIELD WITH SPRING FEMALE (GEO-PORT)		
 UNITS : mm [inch]	PRODUCT SPEC. —		DRAW NO. C536-0401	
SCALE NONE	SIZE A4	SHEET 1 OF 1	REV. B	08005