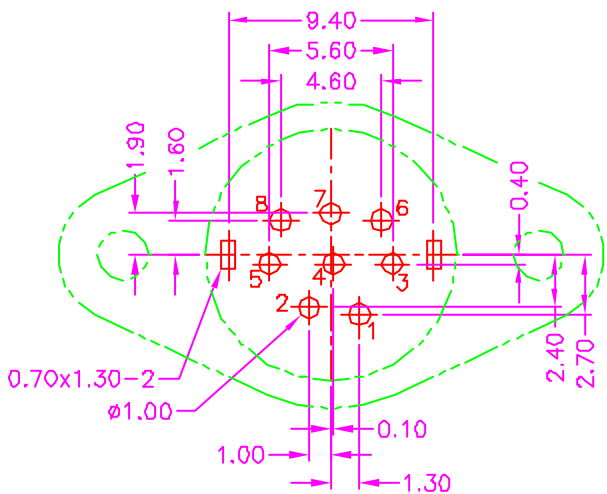
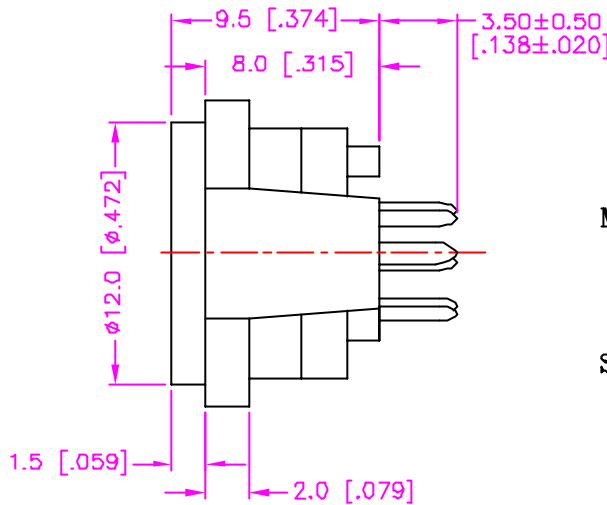
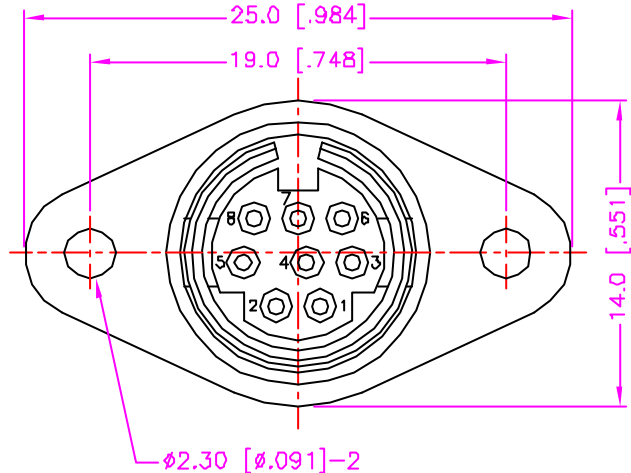
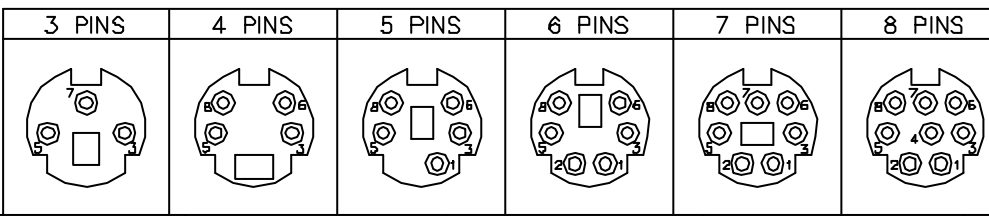


REV.	DESCRIPTION	DATE
—	RELEASE	Jun. 29, 2000
1	DRAW MODIFY	Jun. 17, 2003
2		



**RECOMMEND P.C.B. LAYOUT  
TOP VIEW**



**MATERIALS**

1. HOUSING : POLYESTER (UL 94V-0), BLACK.
2. TERMINAL : PHOSPHOR BRONZE.
3. CENTER GROUNDING : BRASS, NICKEL PLATING.

**SPECIFICATION**

1. CURRENT RATING : 1 AMP. MAX.
2. DIELECTRIC WITHSTANDING VOLTAGE : 500V AC R.M.S. FOR ONE MINUTE.
3. INSULATION RESISTANCE : 100M OHMS MIN. AT 500V DC
4. CONTACT RESISTANCE : 50m OHMS MAX.
5. OPERATING TEMPERATURE : -25°C TO +85°C.
6. DURABILITY : 1000 CYCLES.
7. MATING FORCE : 0.5 ~ 4.5kgs.
8. UNMATING FORCE : 0.5 ~ 4.5kgs.

**ORDER INFORMATION**

13 - 0102 - \* - \* T  
 SERIES CODE | NUMBER OF POSITION | CONTACT PLATING OPTIONS  
 | | TIN PLATING ON SOLDER TAIL  
 | | 1 : GOLD FLASH  
 | | 2 : .000010" GOLD  
 | | 3 : .000015" GOLD  
 | | 5 : .000030" GOLD

TOLERANCE .0±.30 [.012] .00±.20 [.008] .000±.XXX .0000±. ANG.=±3°	DRAWER <i>SUS</i> CHECK <i>LFON</i> APP'D <i>Kathleen</i>	<b>Astron</b> ASTRON TECHNOLOGY CORP. NAME MINI. CIRCULAR DIN P.C.B. MOUNT VERTICAL ALL PLASTIC, FEMALE WITH DUAL EARS
UNITS : mm [inch] SCALE NONE SIZE A4	PRODUCT SPEC. 522-0026 SHEET 1 OF 1 REV. B	
DRAW NO. C531-0201		DRAW NO. C531-0201
08005		