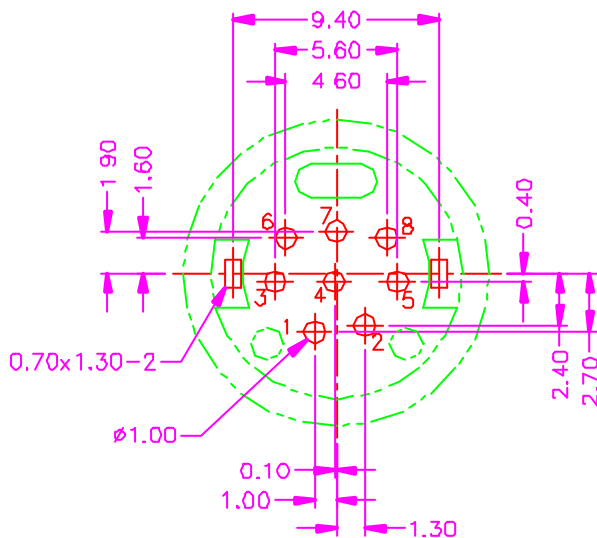
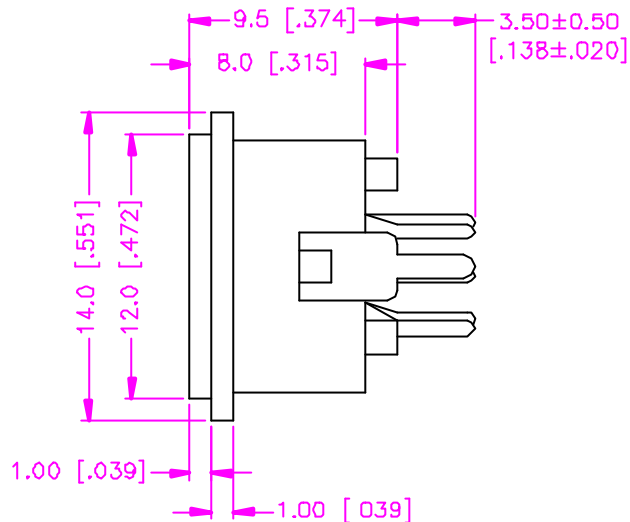
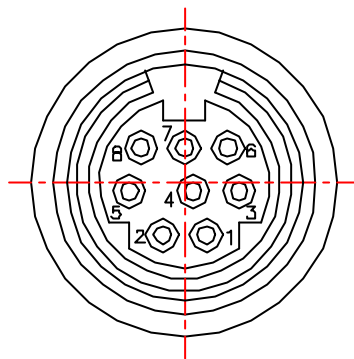


REV.	DESCRIPTION	DATE
—	RELEASE	Jun. 30, 2000
1	HOUSING COLOR ADD.	Apr 26, 2001
2		



RECOMMEND P.C.B. LAYOUT  
BOTTOM VIEW

### MATERIALS

1. HOUSING : P.B.T (UL 94V-0).
2. TERMINAL : PHOSPHOR BRONZE, GOLD PLATING ON CONTACT AREA, TIN PLATING ON SOLDER TAIL
3. CENTER GROUNDING : BRASS, NICKEL PLATING.

### SPECIFICATION

1. CURRENT RATING : 1 AMP. MAX.
2. DIELECTRIC WITHSTANDING VOLTAGE : 500V AC R.M.S. FOR ONE MINUTE.
3. INSULATION RESISTANCE : 100M OHMS MIN. AT 500V DC
4. CONTACT RESISTANCE . 50m OHMS MAX.
5. OPERATING TEMPERATURE : -25°C TO +85°C.
6. DURABILITY : 1000 CYCLES.
7. MATING FORCE : 0.5 ~ 4.5kgs.
8. UNMATING FORCE : 0.5 ~ 4.5kgs.

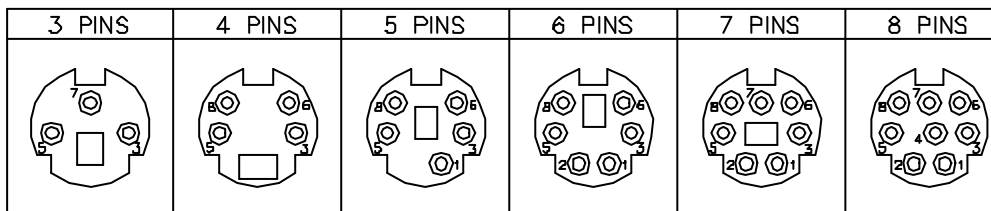
### ORDER INFORMATION

13 - 0101 - \* \* - \* T

SERIES CODE — NUMBER OF POSITION — HOUSING COLOR OPTIONS — CONTACT PLATING OPTIONS — TIN PLATING ON SOLDER TAIL

HOUSING COLOR OPTIONS  
 BLANK : BLACK (STANDARD)  
 S1 : PANTONE PURPLE 2715C  
 S2 : PANTONE GREEN 3395C

CONTACT PLATING OPTIONS  
 1 : GOLD FLASH  
 2 : .000010" GOLD  
 3 : .000015" GOLD  
 5 : .000030" GOLD



TOLERANCE .0±.30 [.012] .00±.20 [.008] .000±.000 .0000±.0000 ANG.=±3°	DRAWER <i>Katherlin</i> CHECK <i>Sue</i> APP'D <i>Wooly</i>	 <b>ASTRON TECHNOLOGY CORP.</b> NAME MINI. CIRCULAR DIN P.C.B. MOUNT VERTICAL ALL PLASTIC, FEMALE
UNITS : mm [inch]	PRODUCT SPEC 522-0015	
SCALE NONE	SIZE A4	DRAW NO. C531-0101
	SHEET 1 OF 1	REV B
		080D5