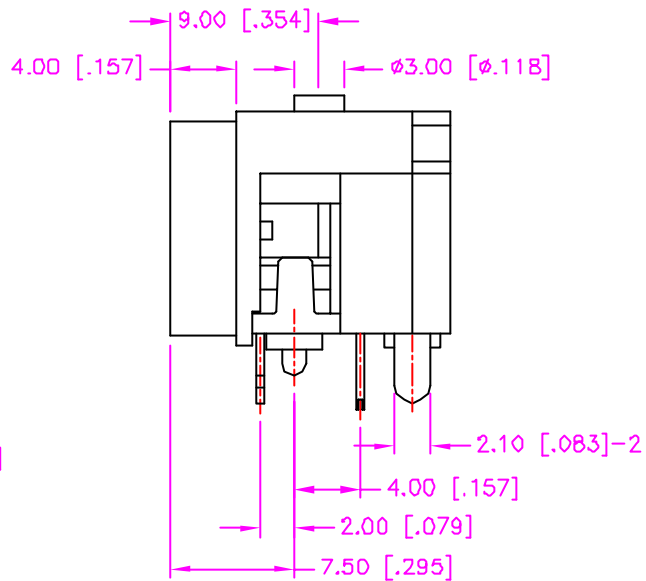
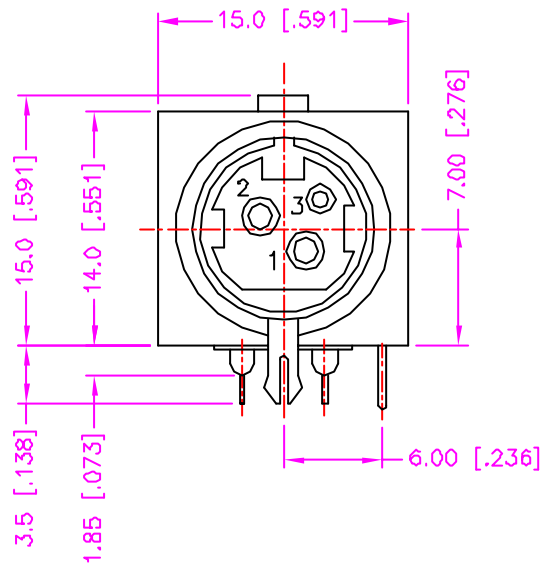


REV.	DESCRIPTION	DATE
—	RELEASE	Dec. 27, 2001
1	DRAW MODIFY	Jun. 07, 2003
2		



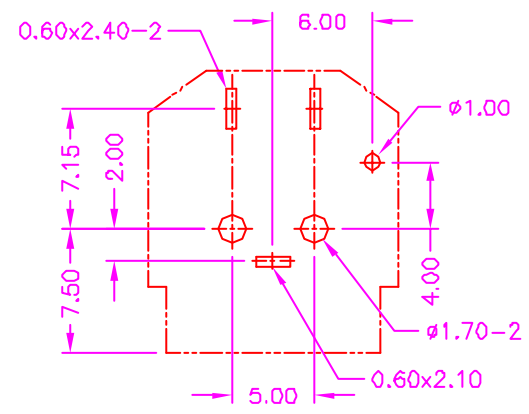
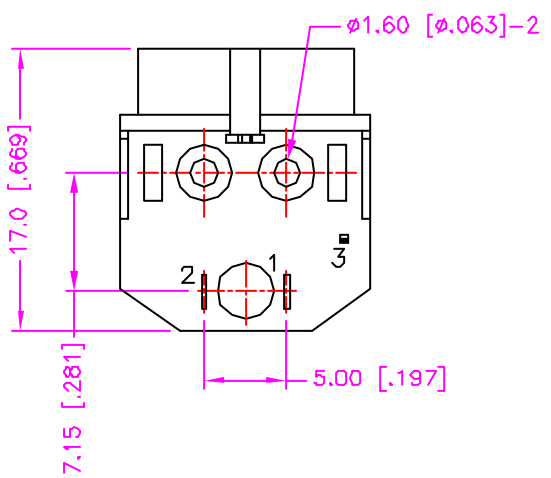
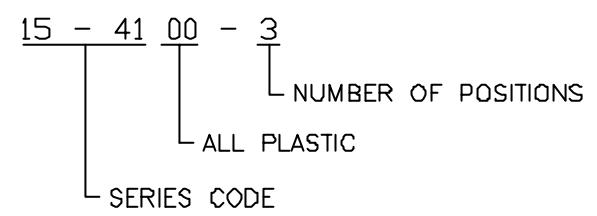
### MATERIALS

1. HOUSING : POLYESTER (UL 94V-0), BLACK.
2. TERMINAL : PHOSPHOR BRONZE, SILVER PLATING.
3. CENTER GROUNDING : BRASS, NICKEL PLATING.  
(t=0.40mm)



### SPECIFICATION

1. CURRENT RATING : 1 AMP (#3 PIN) & 7.5 AMP (OTHERS), MAX.
2. DIELECTRIC WITHSTANDING VOLTAGE : 250V AC R.M.S. FOR ONE MINUTE.
3. INSULATION RESISTANCE : 100M OHMS MIN. AT 250V DC
4. CONTACT RESISTANCE : 50m OHMS MAX.
5. OPERATING TEMPERATURE : -25°C TO +85°C.
6. DURABILITY : 1000 CYCLES.
7. MATING FORCE : 0.5 ~ 3.5kgs.
8. UNMATING FORCE : 0.5 ~ 3.5kgs.

### ORDER INFORMATION



RECOMMEND P.C.B. LAYOUT  
TOP VIEW

TOLERANCE .0±.30 [.012] .00±.20 [.008] .000±.XXX .0000±. ANG.=±3°	DRAWER <i>MUS</i> CHECK <i>LYON</i> APP'D <i>Katherlin</i>	 <b>ASTRON TECHNOLOGY CORP.</b> NAME POWER JACK SNAP & LOCK DC POWER JACK, P.C.B. MOUNT R/A, FEMALE ALL PLASTIC
 UNITS : mm [inch] 514-0001 SCALE NDNE SIZE A4 SHEET 1 OF 1 REV. B DRAW NO. C522-4101 08005		