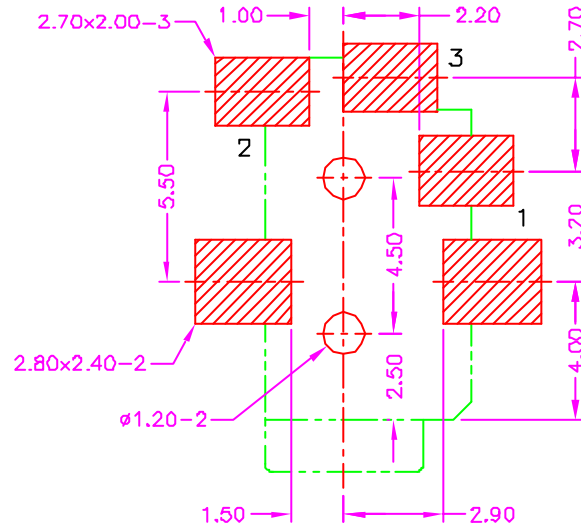
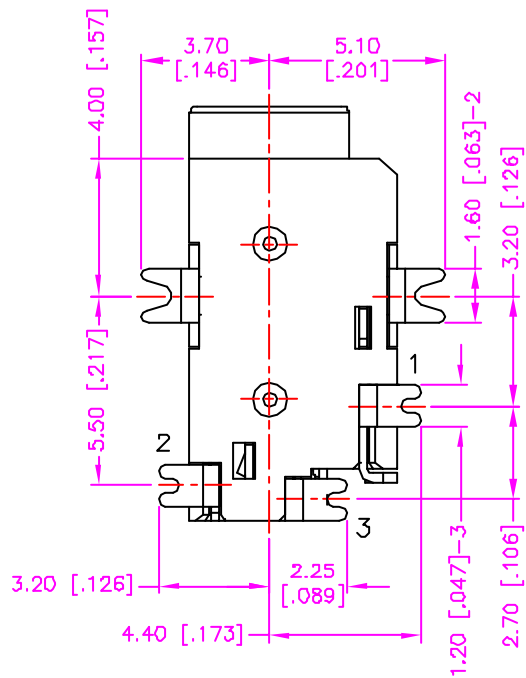
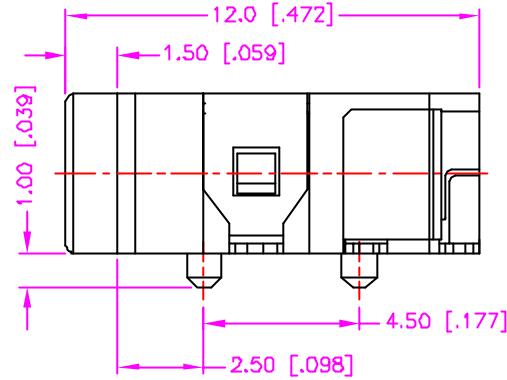
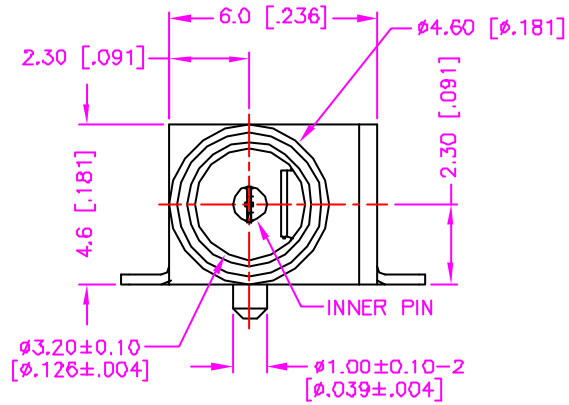
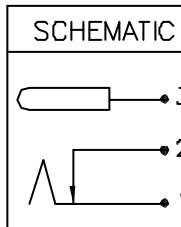


REV.	DESCRIPTION	DATE
—	RELEASE	Apr. 07, 2003
1		
2		



RECOMMEND P.C.B LAYOUT  
TOP VIEW



### MATERIALS

1. HOUSING : HI.-TEMP. PLASTIC (UL 94V-0), BLACK.
2. CENTER PIN : PHOSPHOR BRONZE, SILVER PLATING.
3. TERMINAL : COPPER ALLOY, SILVER PLATING.
4. SHIELD : COPPER ALLOY, TIN PLATING.

### SPECIFICATION

1. CURRENT RATING : 2 AMP. MAX.
2. DIELECTRIC WITHSTANDING VOLTAGE : 250V AC R.M.S. FOR ONE MINUTE.
3. INSULATION RESISTANCE : 100M OHMS MIN. AT 250V DC
4. CONTACT RESISTANCE : 50m OHMS MAX.
5. OPERATING TEMPERATURE : -25°C TO +85°C.
6. DURABILITY : 5000 CYCLES.
7. MATING FORCE : 0.3 ~ 2.0kgs.
8. UNMATING FORCE : 0.3 ~ 2.0kgs.
9. MAX. PROCESSING TEMPERATURE : 230°C FOR 30 ~ 60 SECONDS.

### ORDER INFORMATION

15 - 02 09 8  
SERIES CODE TYPE 09  $\phi 1.00$ mm INNER PIN

TOLERANCE .0=±.30 [.012] .00=±.20 [.008] .000=±.XXX .0000=±. ANG.=±3°		DRAWER <i>Katherlin</i>	ASTRON TECHNOLOGY CORP.
UNITS : mm [inch]		CHECK <i>230X</i>	
SCALE NONE	SIZE A4	APP'D <i>sub</i>	DRAW NO. C522-0208
SHEET 1 OF 1	REV. A	PRODUCT SPEC. —	D8005