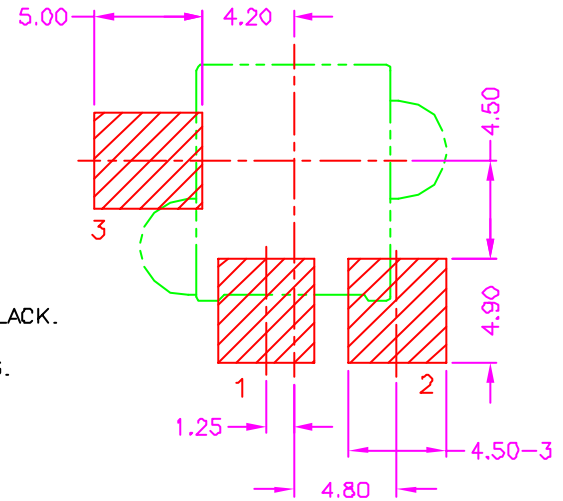
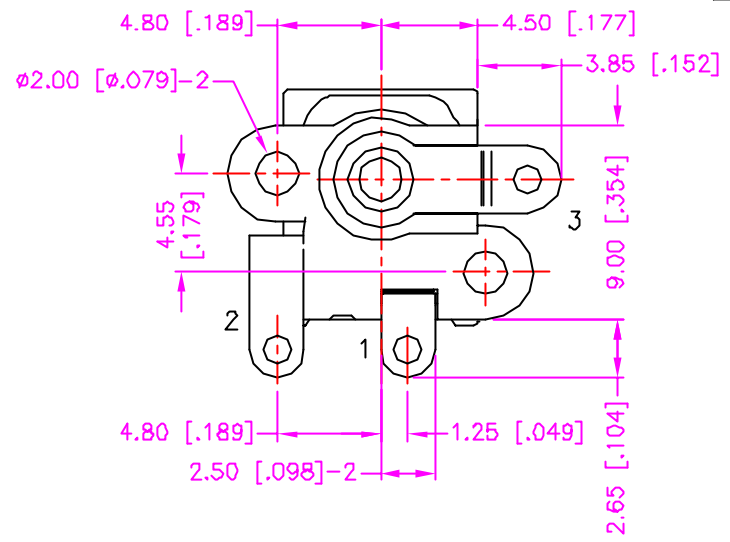
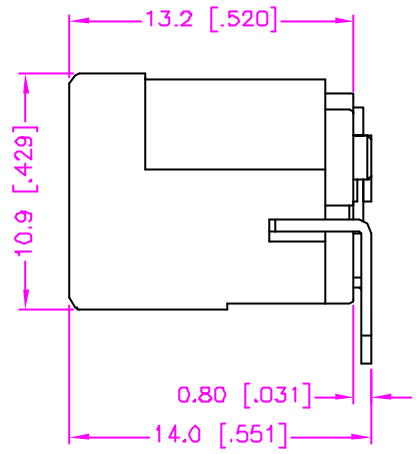
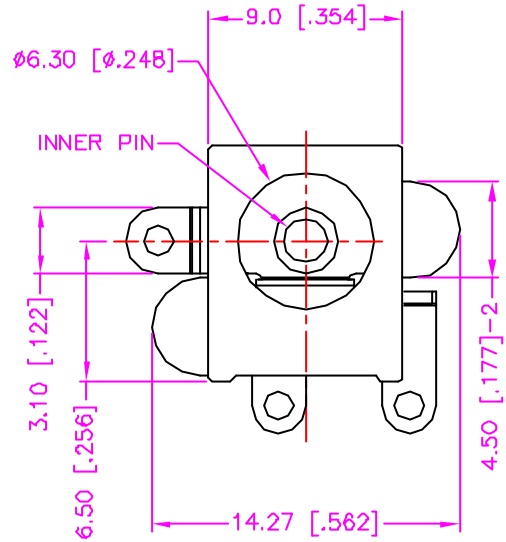


REV.	DESCRIPTION	DATE
—	RELEASE	Mar. 25, 2003
1		
2		



RECOMMEND P.C.B LAYOUT  
TOP VIEW

ORDER INFORMATION

15 - 02 08 \*

SERIES CODE

TYPE 08

INNER PIN DIA. OPTIONS

2 :  $\varnothing$ 2.50mm  
4 :  $\varnothing$ 2.00mm

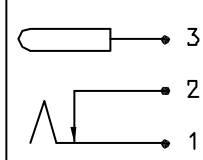
MATERIALS

1. HOUSING : HI.-TEMP. PLASTIC (UL 94V-0), BLACK.
2. TERMINAL : COPPER ALLOY, SILVER PLATING.
3. CENTER PIN : COPPER ALLOY, NICKEL PLATING.

SPECIFICATION

1. CURRENT RATING : 2.5 AMP. MAX.
2. DIELECTRIC WITHSTANDING VOLTAGE : 500V AC R.M.S. FOR ONE MINUTE.
3. INSULATION RESISTANCE : 100M OHMS MIN. AT 500V DC
4. CONTACT RESISTANCE : 50m OHMS MAX.
5. OPERATING TEMPERATURE : -25°C TO +70°C.
6. DURABILITY : 5000 CYCLES.
7. MATING FORCE : 0.3 ~ 3.0kgs.
8. UNMATING FORCE : 0.3 ~ 3.0kgs.
9. MAX. PROCESSING TEMPERATURE : 230°C FOR 30 ~ 60 SECONDS.

SCHMATIC



TOLERANCE .0=±.30 [.012] .00=±.20 [.008] .000=±.XXX .0000=±. ANG.=±3'	DRAWER <i>Katherlin</i>	ASTRON TECHNOLOGY CORP.
UNITS : mm [inch]	CHECK <i>LTON</i>	
SCALE NONE	SIZE A4	DRAW NO. C522-0207
SHEET 1 OF 1	REV. A	08005