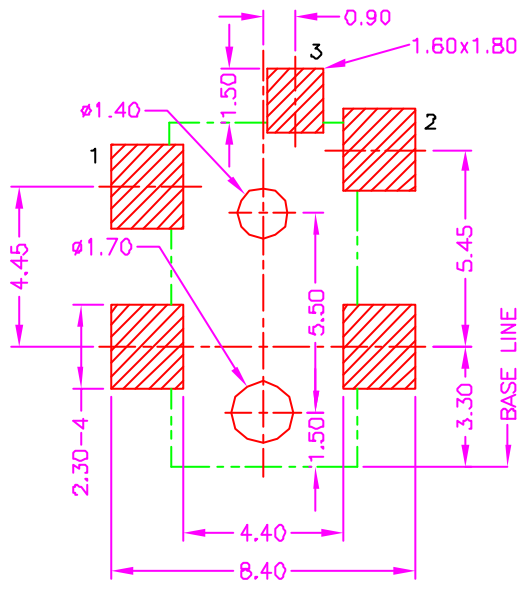
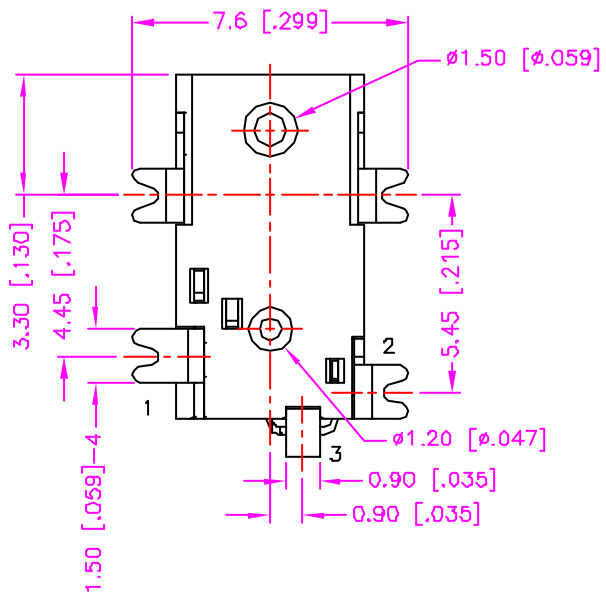
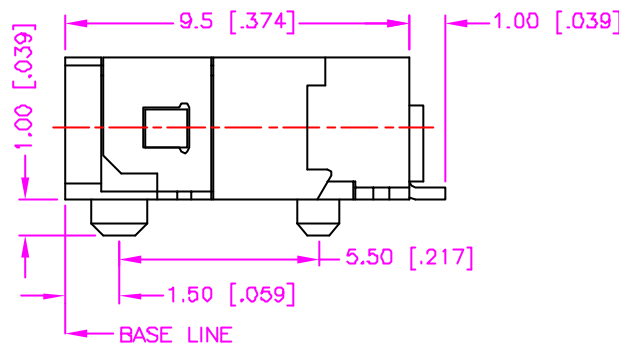
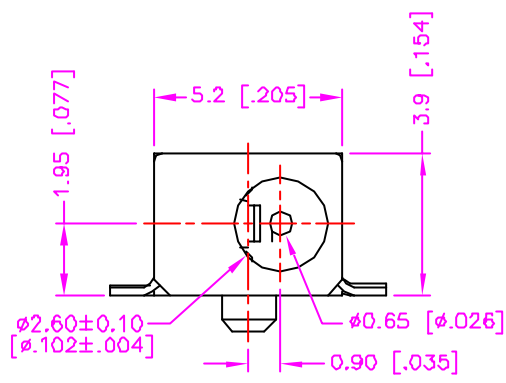


REV.	DESCRIPTION	DATE
—	RELEASE	Mar. 21, 2003
1		
2		



RECOMMEND P.C.B LAYOUT
TOP VIEW

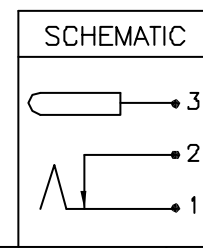
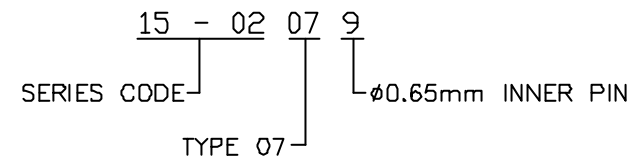
MATERIALS

1. HOUSING : HI.-TEMP. PLASTIC (UL 94V-0), BLACK.
2. CENTER PIN : PHOSPHOR BRONZE, SILVER PLATING.
3. TERMINAL : COPPER ALLOY, SILVER PLATING.
4. STOPPER : BRASS, NICKEL PLATING.

SPECIFICATION

1. CURRENT RATING : 2 AMP. MAX.
2. DIELECTRIC WITHSTANDING VOLTAGE : 250V AC R.M.S. FOR ONE MINUTE.
3. INSULATION RESISTANCE : 100M OHMS MIN. AT 250V DC
4. CONTACT RESISTANCE : 50m OHMS MAX.
5. OPERATING TEMPERATURE : -25°C TO +85°C.
6. DURABILITY : 5000 CYCLES.
7. MATING FORCE : 0.3 ~ 2.0kgs.
8. UNMATING FORCE : 0.3 ~ 2.0kgs.
9. MAX. PROCESSING TEMPERATURE : 230°C FOR 30 ~ 60 SECONDS.

ORDER INFORMATION



TOLERANCE .0±.30 [.012] .00±.20 [.008] .000±.XXX .0000±. ANG.=±3°	DRAWER <i>Katherlin</i>	Astron ASTRON TECHNOLOGY CORP.
	CHECK <i>ESON</i>	
UNITS : mm [inch]	APP'D <i>JUB</i>	DRAW NO. C522-0206
SCALE NONE	SIZE A4	SHEET 1 OF 1
	REV. A	08005