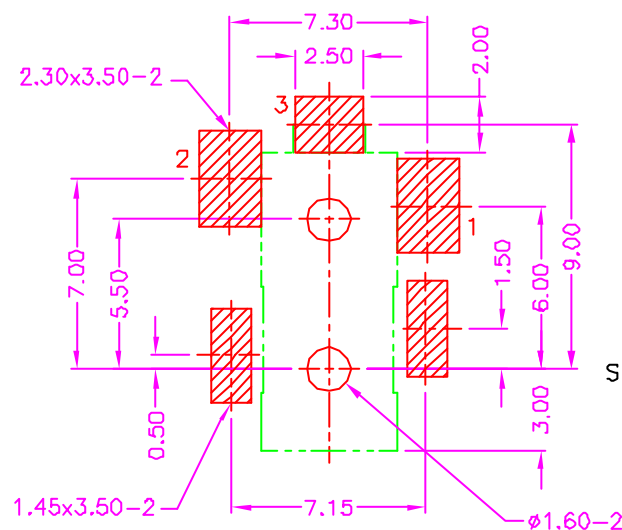
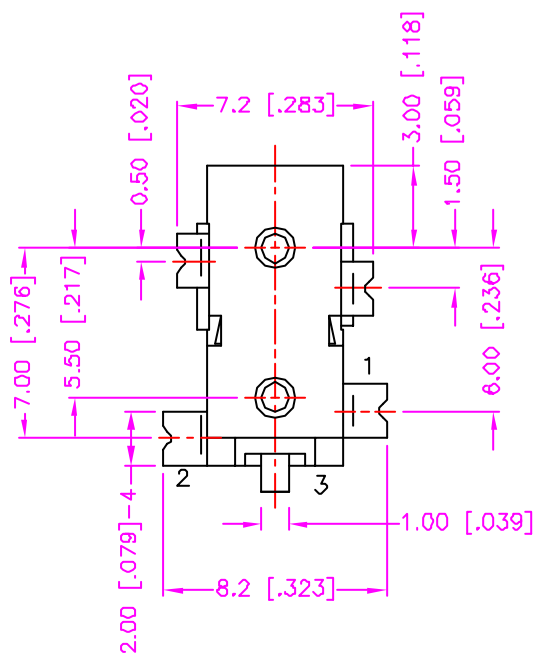
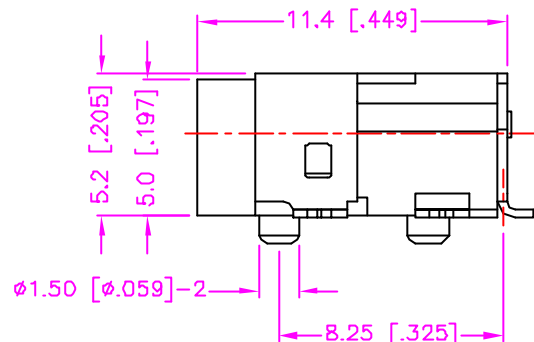
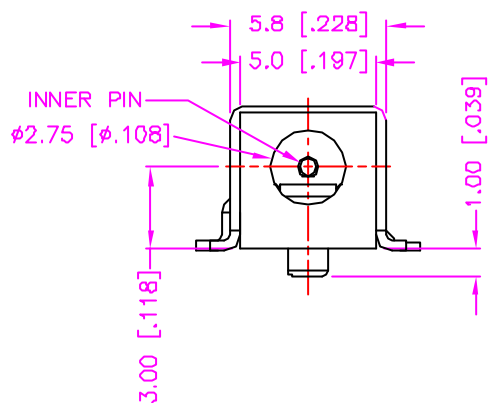


REV.	DESCRIPTION	DATE
—	RELEASE	Sep. 04, 2002
1	DRAW MODIFY	Sep. 05, 2003
2		



RECOMMEND P.C.B LAYOUT
TOP VIEW

MATERIALS

1. HOUSING : HI.-TEMP. PLASTIC (UL 94V-0), BLACK.
2. CENTER PIN : BRASS, SILVER PLATING.
3. TERMINAL : COPPER ALLOY, SILVER PLATING.
4. SHIELD : SPCC, NICKEL PLATING.

SPECIFICATION

1. CURRENT RATING : 2 AMP. MAX.
2. DIELECTRIC WITHSTANDING VOLTAGE : 250V AC R.M.S. FOR ONE MINUTE.
3. INSULATION RESISTANCE : 100M OHMS MIN. AT 250V DC
4. CONTACT RESISTANCE : 50m OHMS MAX.
5. OPERATING TEMPERATURE : -25°C TO +85°C.
6. DURABILITY : 5000 CYCLES.
7. MATING FORCE : 0.3 ~ 2.0kgs.
8. UNMATING FORCE : 0.3 ~ 2.0kgs.
9. MAX. PROCESSING TEMPERATURE : 230°C FOR 30 ~ 60 SECONDS.

ORDER INFORMATION

15 - 02 01 9
 SERIES CODE ————— $\phi 0.65\text{mm}$ INNER PIN
 TYPE 01

SCHEMATIC 	TOLERANCE .0=±0.30 [.012] .00=±0.20 [.008] .000=±.XXX .0000=±. ANG.=±3°		DRAWER <i>SUB</i>	 ASTRON TECHNOLOGY CORP. NAME DC POWER JACK P.C.B. MOUNT, SMT TYPE FEMALE DRAW NO. C522-0205
	UNITS : mm [inch]		CHECK <i>Katherlin</i>	
	SCALE NONE SIZE A4		APP'D <i>LYON</i>	
	SHEET 1 OF 1 REV. B		PRODUCT SPEC. 516-OD15	